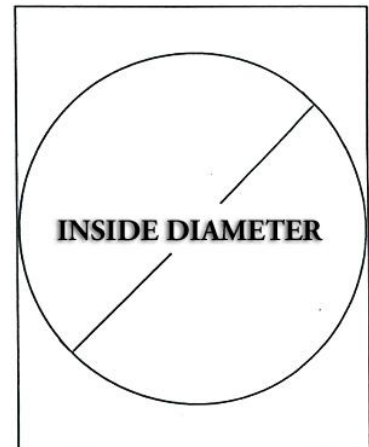
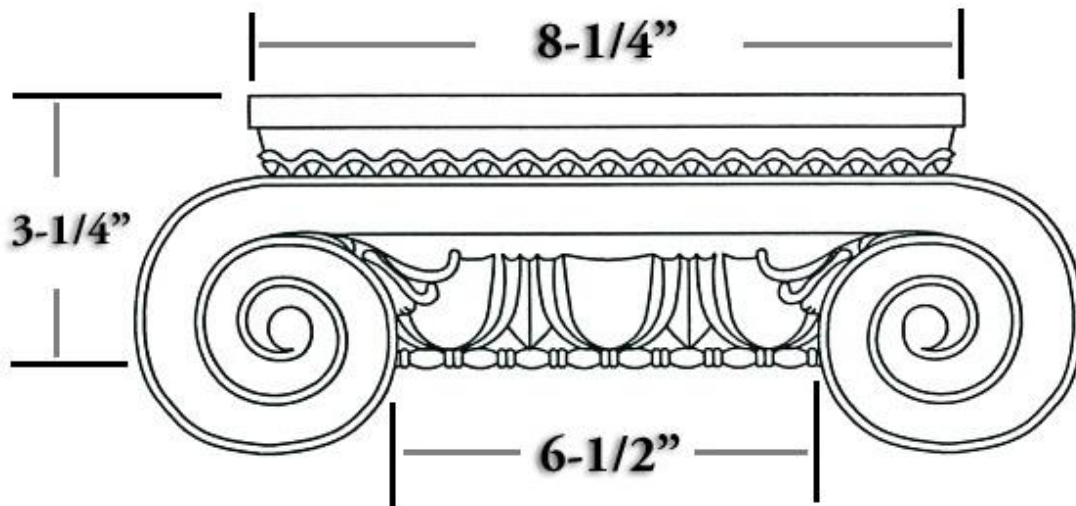


CHADSWORTH INCORPORATED

CLASSIC STONE CAPITALS

ROMAN IONIC CAPITAL FOR AN 8" COLUMN



SPECIFICATIONS

Load Bearing:	Yes
Product Weight:	11 lbs
Material:	Classic Stone
Base Width:	6-1/2"
Height:	3-1/4"
Abacus:	8-1/4"
Inner Diameter:	3-3/4"

FINISHING OPTIONS



WHITE



OFF-WHITE



CREAM



LIMESTONE



SANDSTONE



CLIFFSIDE
GRAY