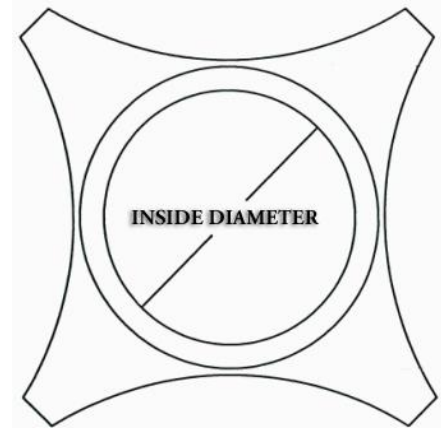
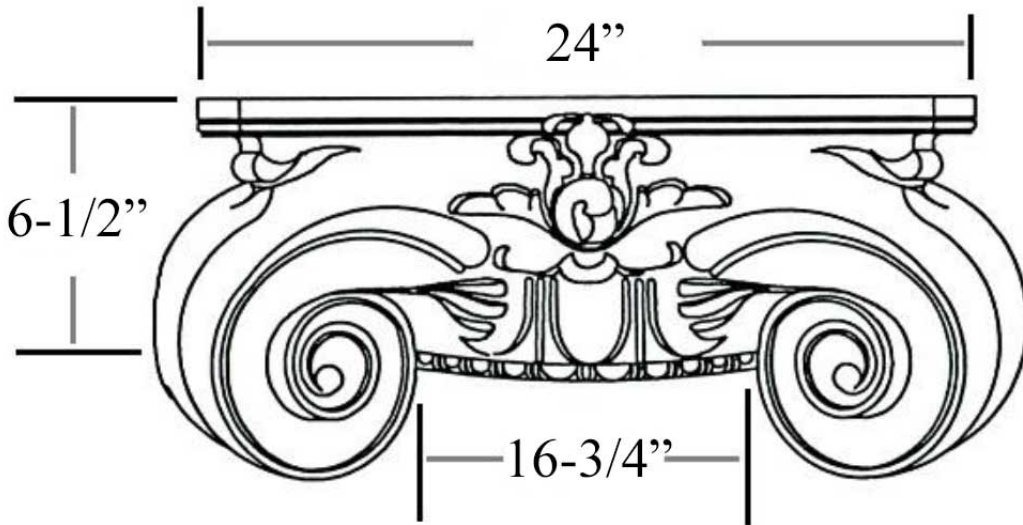


CHADSWORTH INCORPORATED

CLASSIC STONE CAPITALS

SCAMOZZI CAPITAL FOR AN 18" COLUMN



SPECIFICATIONS

Load Bearing:	Yes
Product Weight:	130 lbs
Material:	Classic Stone
Base Width:	16-3/4"
Height:	6-1/2"
Abacus:	24"
Inner Diameter:	13-1/4"

FINISHING OPTIONS



WHITE



OFF-WHITE



CREAM



LIMESTONE



SANDSTONE



CLIFFSIDE
GRAY