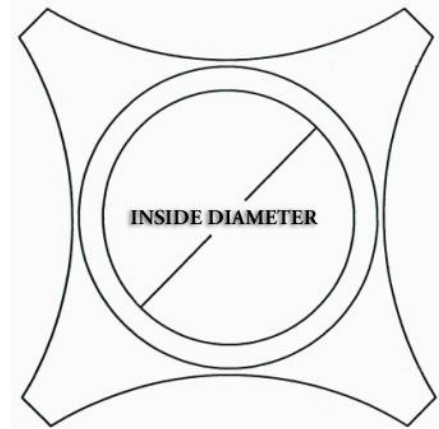
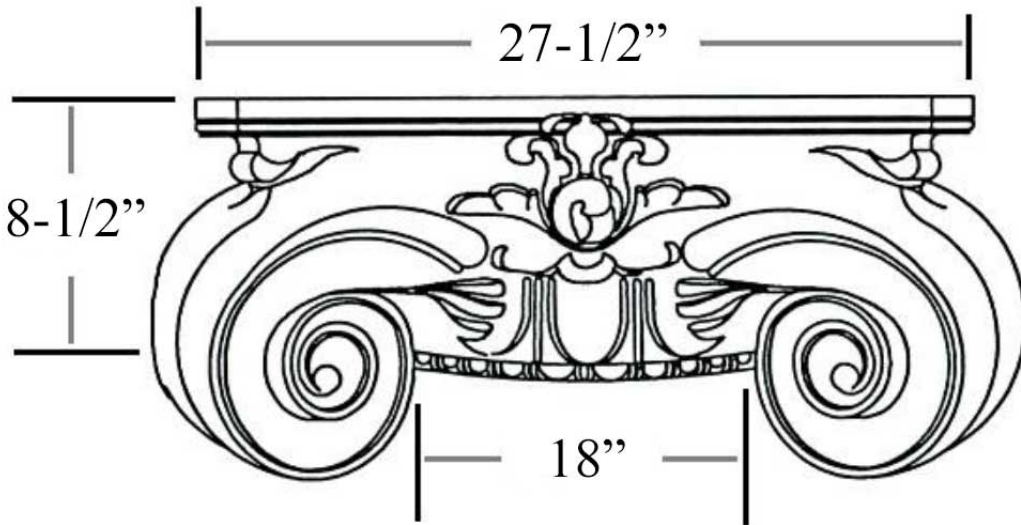


CHADSWORTH INCORPORATED

CLASSIC STONE CAPITALS

SCAMOZZI CAPITAL FOR A 20" COLUMN



SPECIFICATIONS

Load Bearing:	Yes
Product Weight:	165 lbs
Material:	Classic Stone
Base Width:	18"
Height:	8-1/2"
Abacus:	27-1/2"
Inner Diameter:	15-3/4"

FINISHING OPTIONS



WHITE



OFF-WHITE



CREAM



LIMESTONE



SANDSTONE



CLIFFSIDE
GRAY