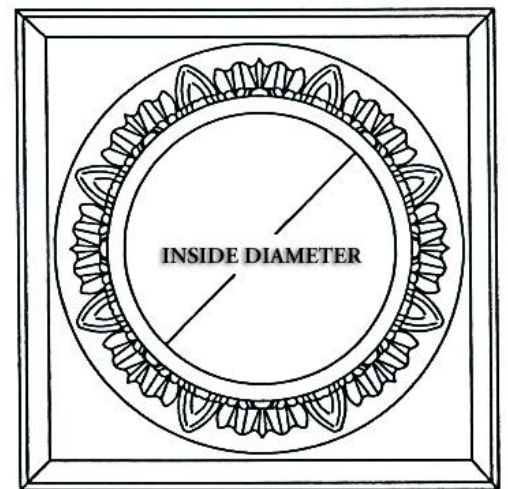
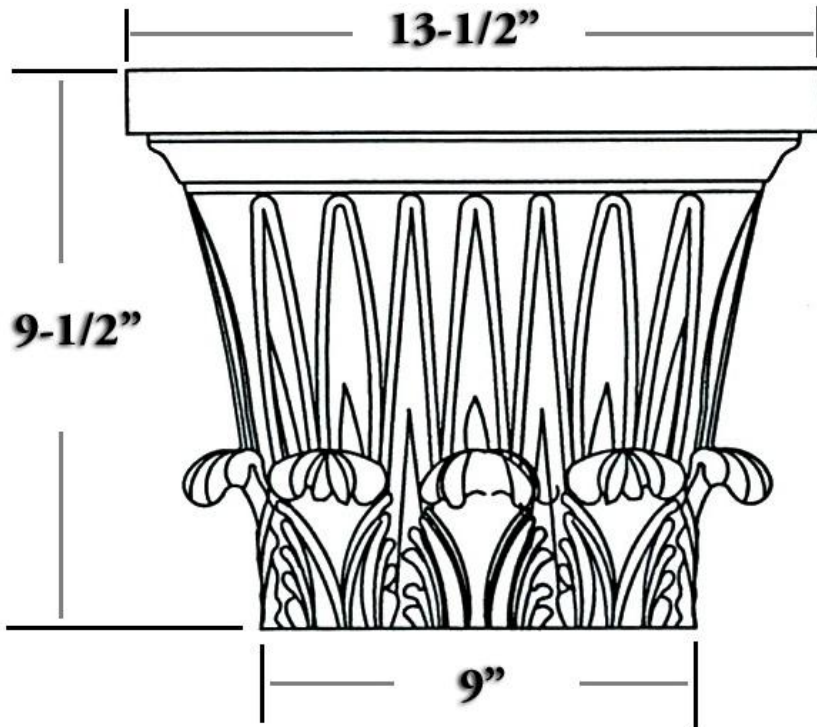


# CHADSWORTH INCORPORATED

## FRP COMPOSITE CAPITALS

### GREEK CORINTHIAN CAPITAL FOR A 10" COLUMN



#### SPECIFICATIONS

Load Bearing:	Yes
Product Weight:	30.5 lbs
Material:	FRP Composite Fiberglass
Base Width:	9"
Height:	9-1/2"
Abacus:	13-1/2"
Inner Diameter:	6"