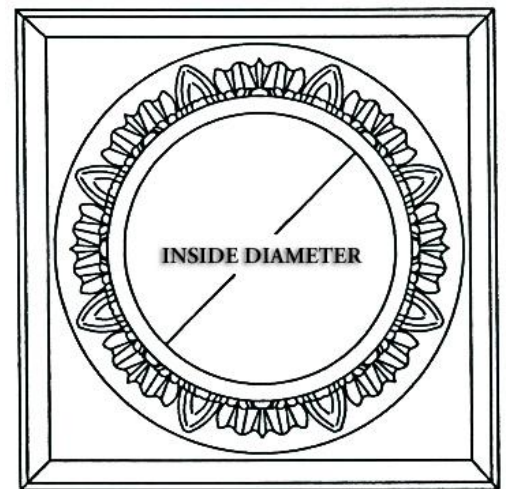
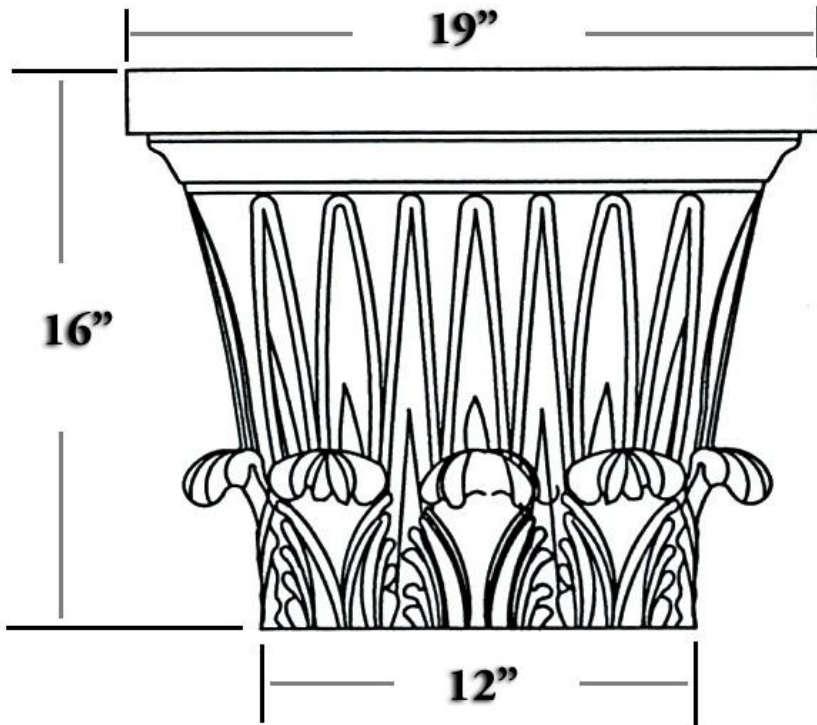


CHADSWORTH INCORPORATED

FRP COMPOSITE CAPITALS

GREEK CORINTHIAN CAPITAL FOR A 14" COLUMN



SPECIFICATIONS

Load Bearing:	Yes
Product Weight:	120 lbs
Material:	FRP Composite Fiberglass
Base Width:	12"
Height:	16"
Abacus:	19"
Inner Diameter:	9"