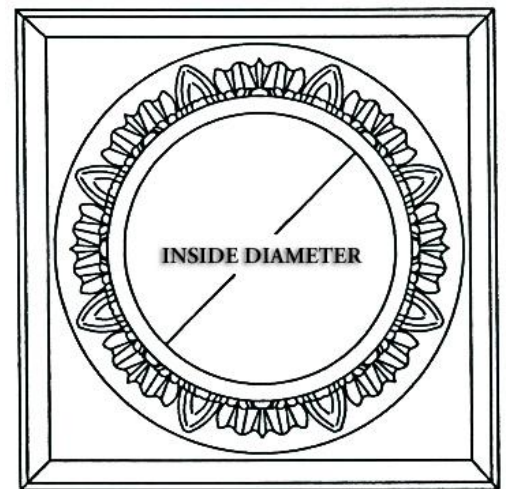
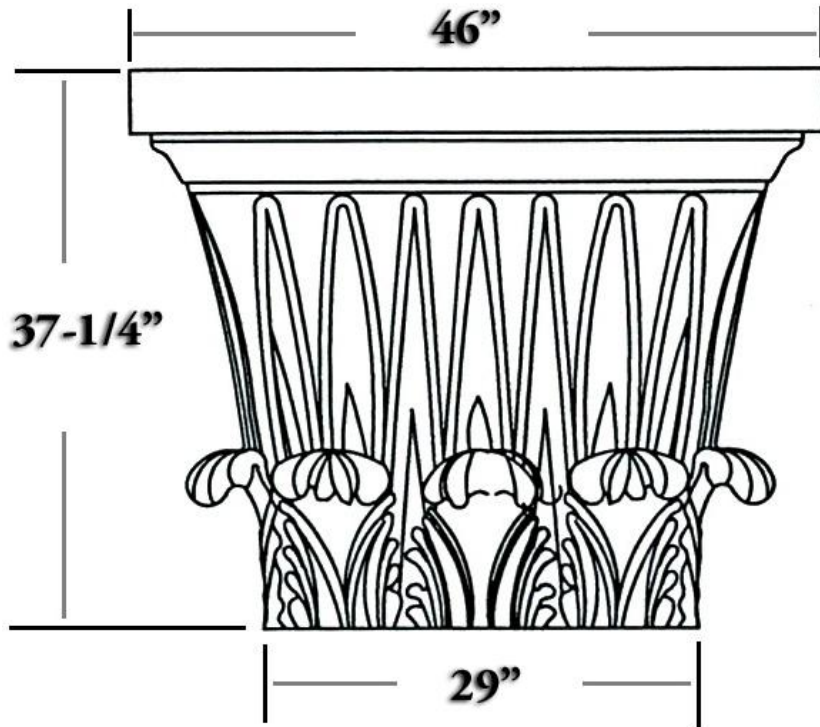


CHADSWORTH INCORPORATED

FRP COMPOSITE CAPITALS

GREEK CORINTHIAN CAPITAL FOR A 36" COLUMN



SPECIFICATIONS

Load Bearing:	Yes
Product Weight:	720 lbs
Material:	FRP Composite Fiberglass
Base Width:	29"
Height:	37-1/4"
Abacus:	46"
Inner Diameter:	26"