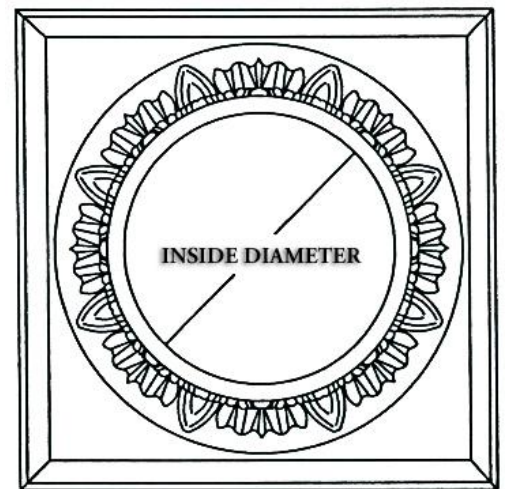
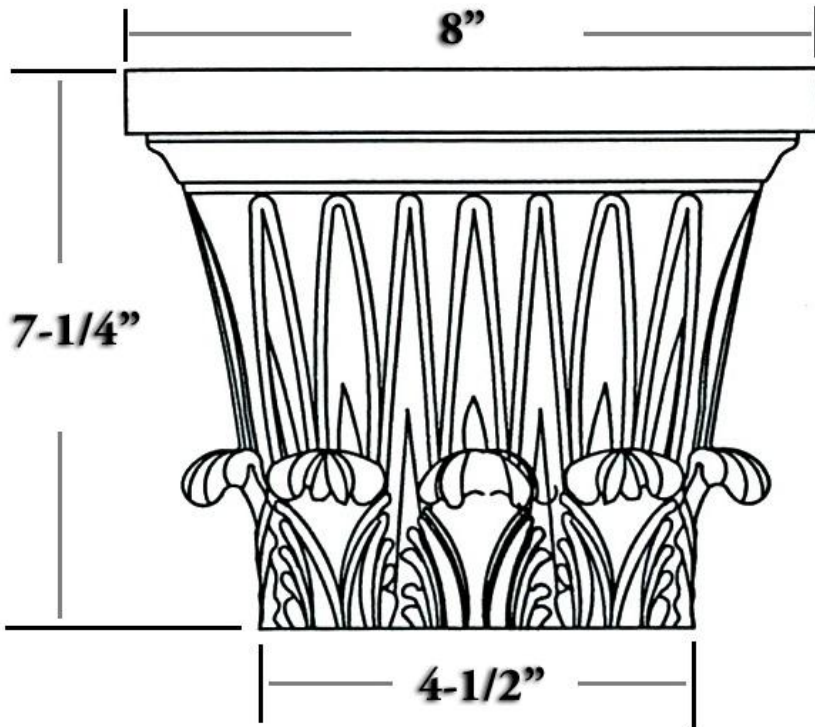


# CHADSWORTH INCORPORATED

## FRP COMPOSITE CAPITALS

### GREEK CORINTHIAN CAPITAL FOR A 6" COLUMN



#### SPECIFICATIONS

Load Bearing:	Yes
Product Weight:	7 lbs
Material:	FRP Composite Fiberglass
Base Width:	4-1/2"
Height:	7-1/4"
Abacus:	8"
Inner Diameter:	2-1/4"