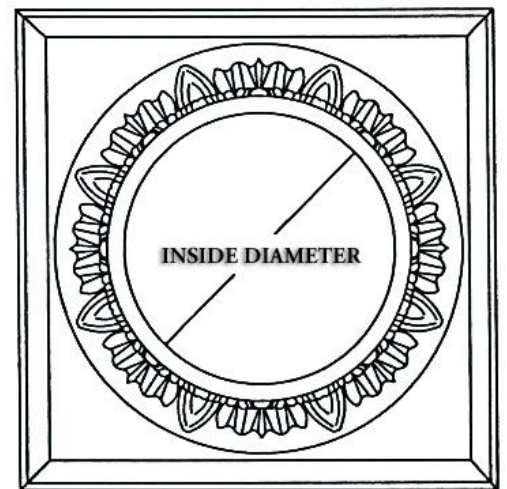
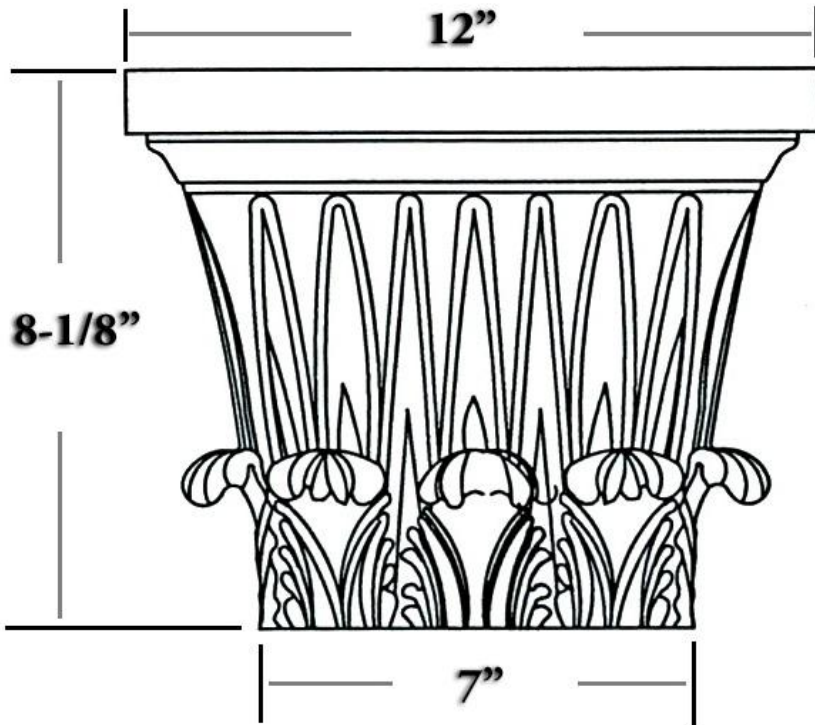


# CHADSWORTH INCORPORATED

## FRP COMPOSITE CAPITALS

### GREEK CORINTHIAN CAPITAL FOR AN 8" COLUMN



#### SPECIFICATIONS

Load Bearing:	Yes
Product Weight:	14.5 lbs
Material:	FRP Composite Fiberglass
Base Width:	7"
Height:	8-1/8"
Abacus:	12"
Inner Diameter:	4"