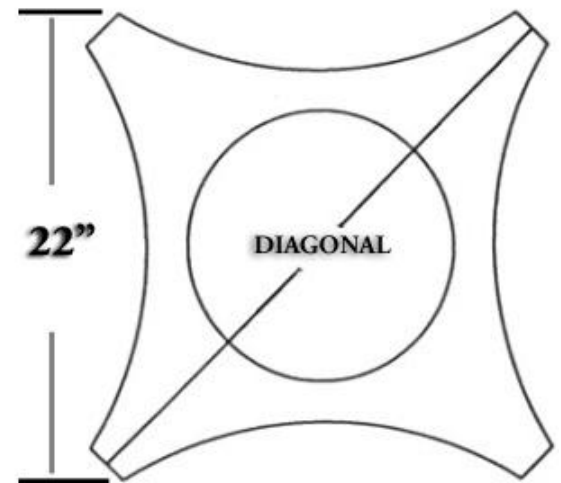
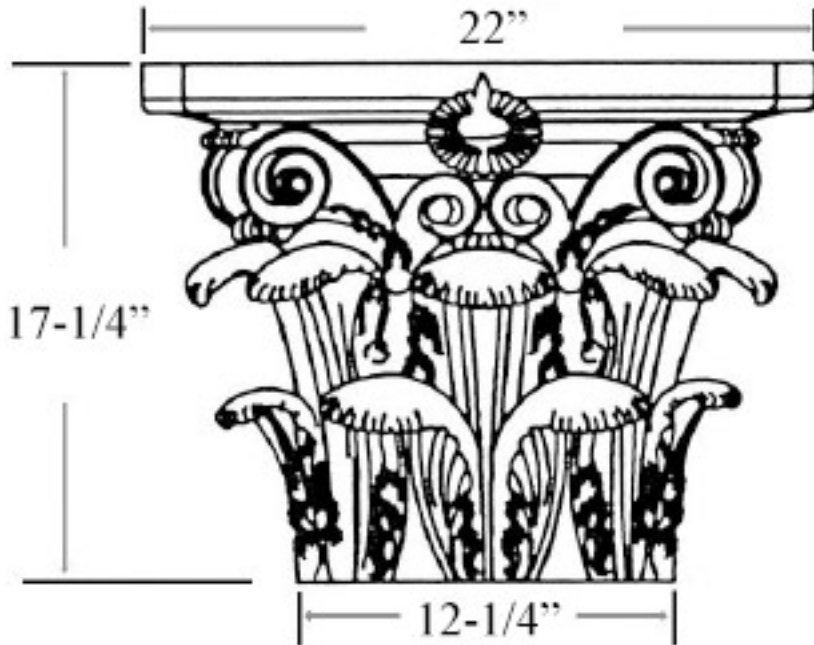


CHADSWORTH INCORPORATED

FRP COMPOSITE CAPITALS

ROMAN CORINTHIAN CAPITAL FOR A 14" COLUMN



$$\text{DIAGONAL} = \sqrt{w^2 + w^2}$$

SPECIFICATIONS

Load Bearing:	Yes
Product Weight:	116 lbs
Material:	FRP Composite Fiberglass
Base Width:	12-1/4"
Height:	17-1/4"
Abacus:	22"
Inner Diameter:	8-7/8"