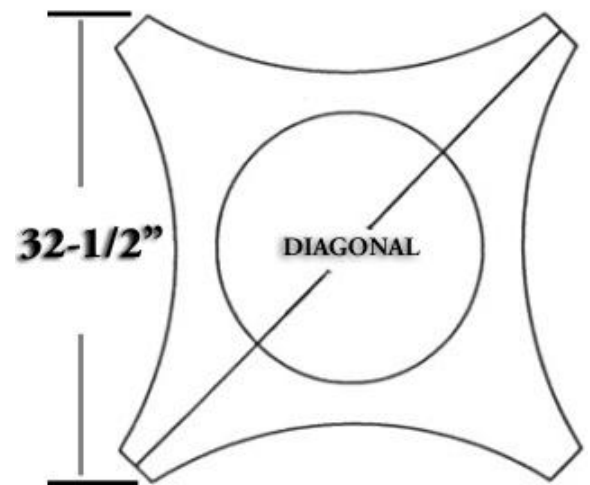
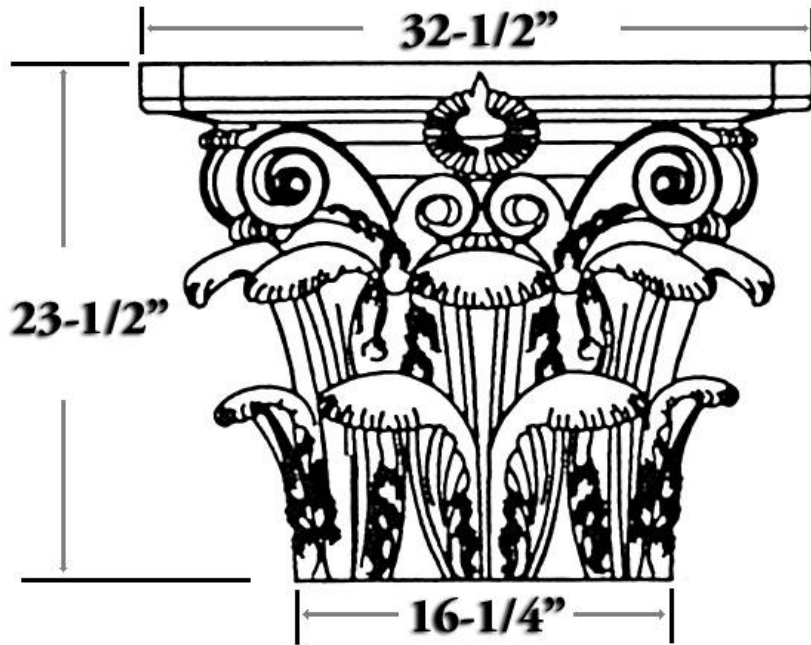


CHADSWORTH INCORPORATED

FRP COMPOSITE CAPITALS

ROMAN CORINTHIAN CAPITAL FOR AN 18" COLUMN



$$\text{DIAGONAL} = \sqrt{w^2 + w^2}$$

SPECIFICATIONS

Load Bearing:	Yes
Product Weight:	290 lbs
Material:	FRP Composite Fiberglass
Base Width:	16-1/4"
Height:	23-1/4"
Abacus:	32-1/4"
Inner Diameter:	13-1/4"