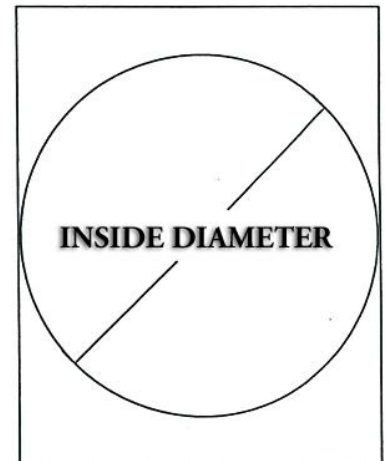
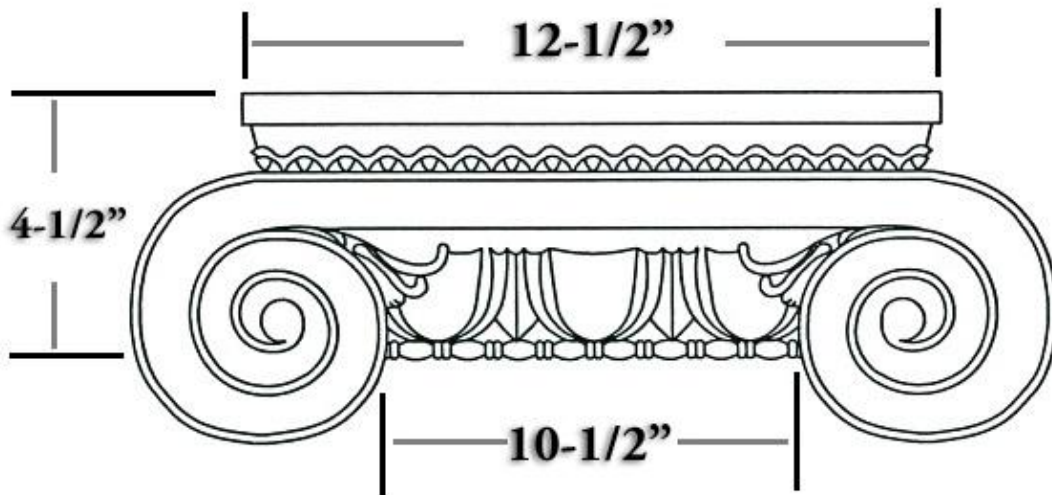


CHADSWORTH INCORPORATED

FRP COMPOSITE CAPITALS

ROMAN IONIC CAPITAL FOR A 12" COLUMN



SPECIFICATIONS

Load Bearing:	Yes
Product Weight:	28 lbs
Material:	FRP Composite Fiberglass
Base Width:	10-1/2"
Height:	4-1/2"
Abacus:	12-1/2"
Inner Diameter:	7-3/4"