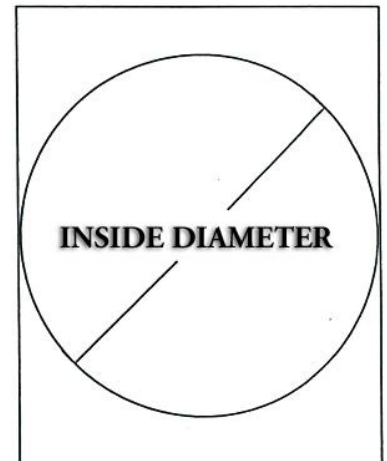
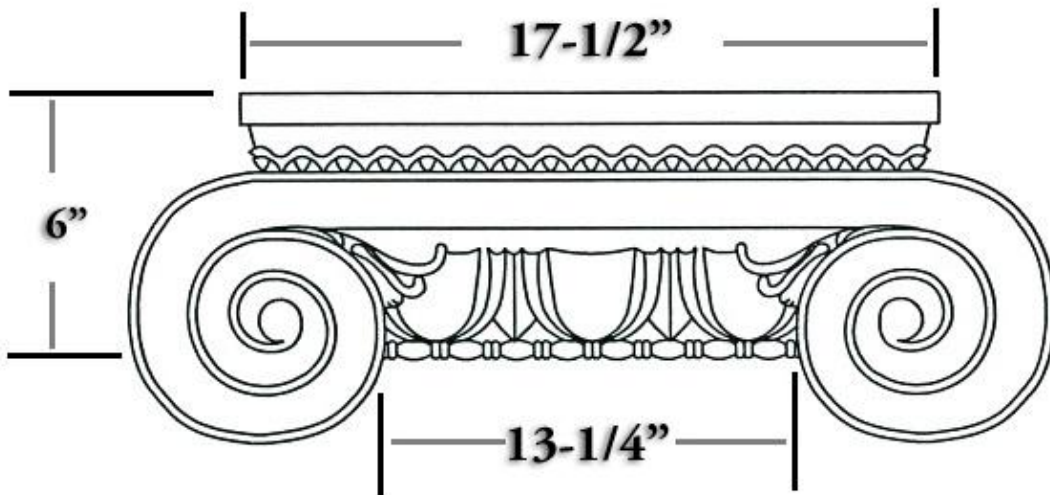


# CHADSWORTH INCORPORATED

## FRP COMPOSITE CAPITALS

### ROMAN IONIC CAPITAL FOR A 14" COLUMN



#### SPECIFICATIONS

Load Bearing:	Yes
Product Weight:	57 lbs
Material:	FRP Composite Fiberglass
Base Width:	13-1/4"
Height:	6"
Abacus:	17-1/2"
Inner Diameter:	8-3/4"