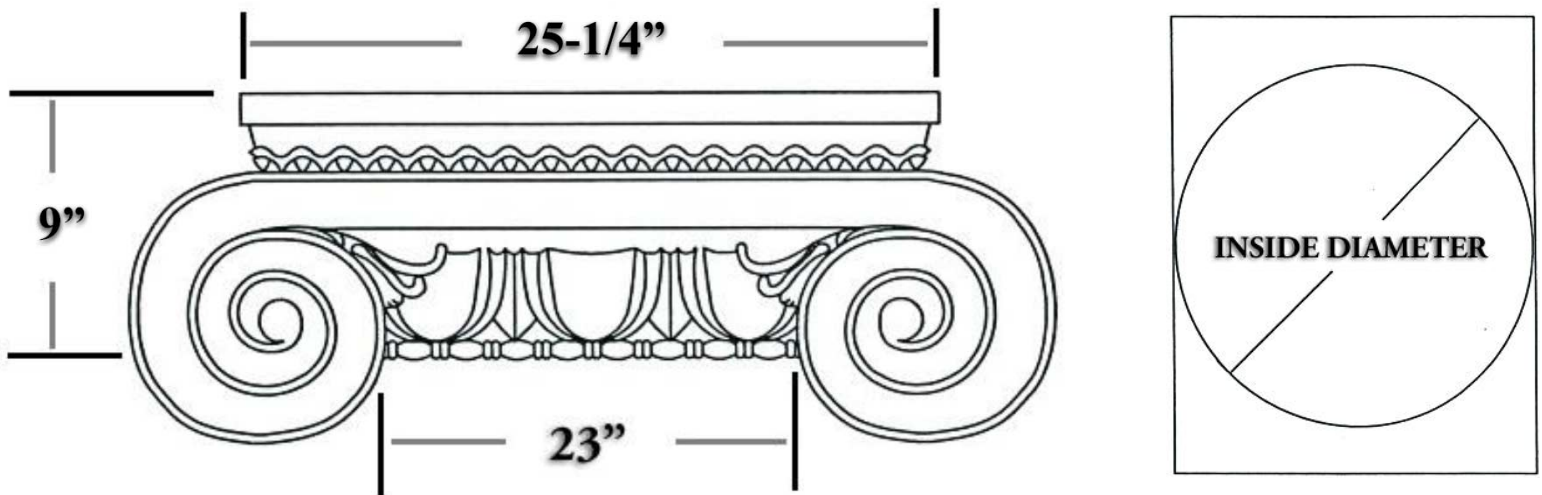


CHADSWORTH INCORPORATED

FRP COMPOSITE CAPITALS

ROMAN IONIC CAPITAL FOR A 24" COLUMN



SPECIFICATIONS

Load Bearing:	Yes
Product Weight:	250 lbs
Material:	FRP Composite Fiberglass
Base Width:	23"
Height:	9"
Abacus:	25-1/4"
Inner Diameter:	20"