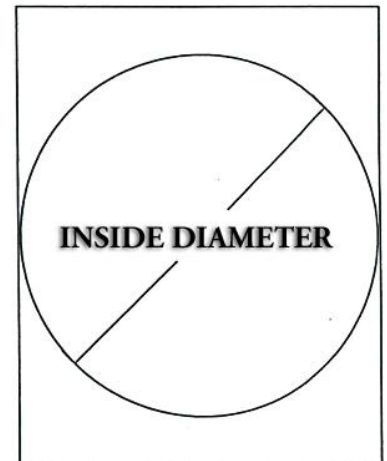
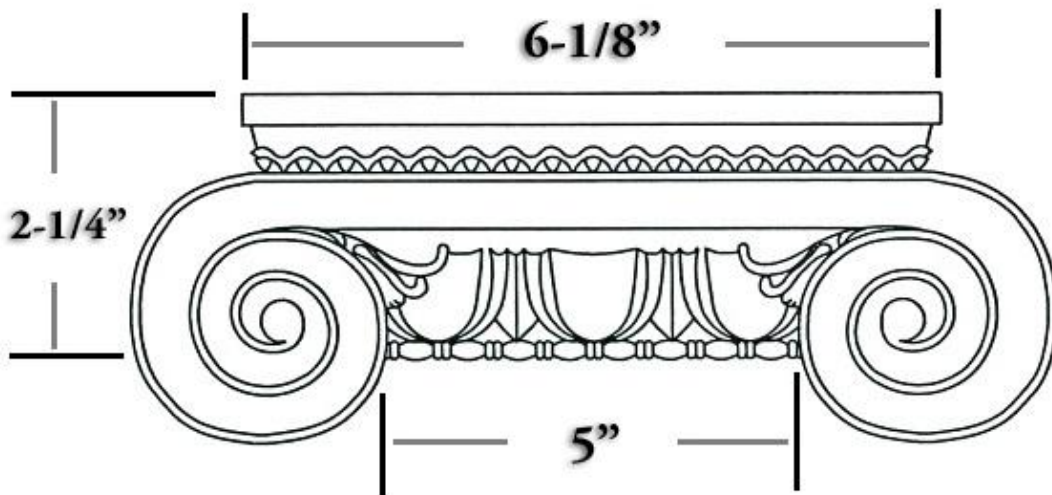


# CHADSWORTH INCORPORATED

## FRP COMPOSITE CAPITALS

### ROMAN IONIC CAPITAL FOR A 6" COLUMN



#### SPECIFICATIONS

|                 |                          |
|-----------------|--------------------------|
| Load Bearing:   | Yes                      |
| Product Weight: | 4 lbs                    |
| Material:       | FRP Composite Fiberglass |
| Base Width:     | 5"                       |
| Height:         | 2-1/4"                   |
| Abacus:         | 6-1/8"                   |
| Inner Diameter: | 2-1/4"                   |