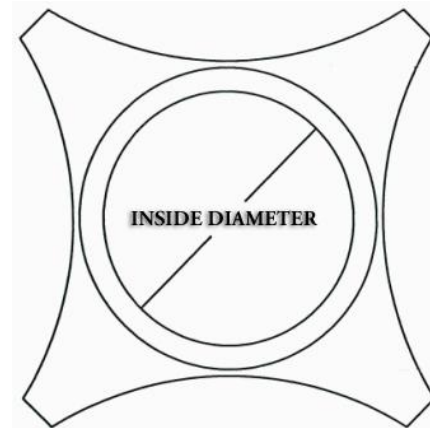
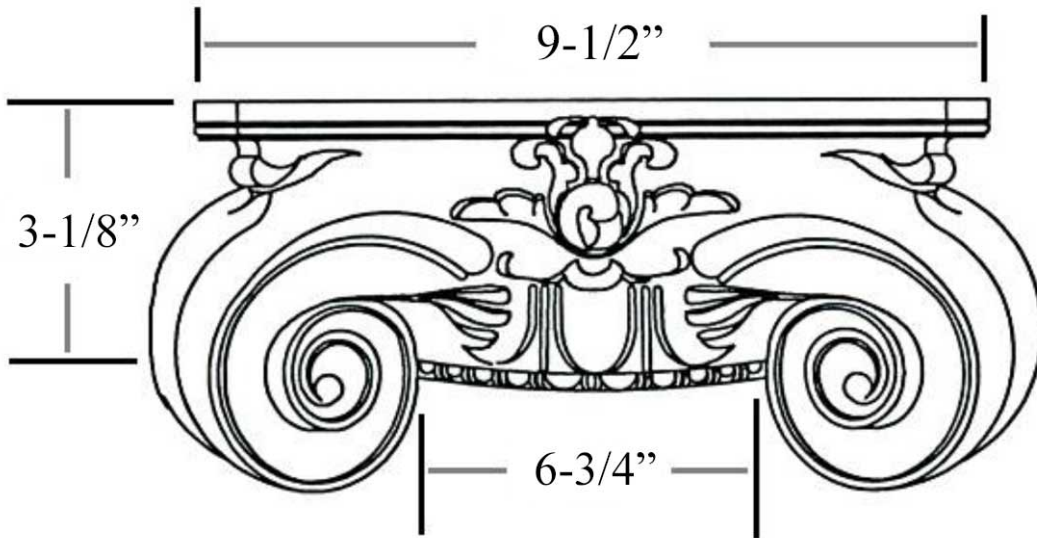


CHADSWORTH INCORPORATED

FRP COMPOSITE CAPITALS

SCAMOZZI CAPITAL FOR AN 8" COLUMN



SPECIFICATIONS

Load Bearing:	Yes
Product Weight:	8 lbs
Material:	FRP Composite Fiberglass
Base Width:	6-3/4"
Height:	3-1/8"
Abacus:	9-1/2"
Inner Diameter:	4-1/4"