

Niche Installation

Installation Guide For –
Gainsborough

(with pilasters)

Regency

(with casing)

Please
Read And
Follow All
Installation
Instructions
Carefully

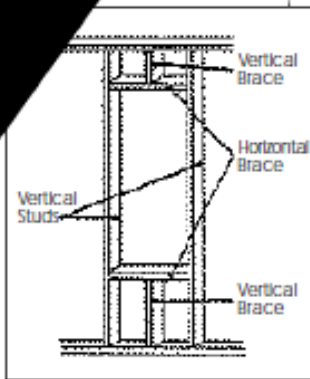


Figure 1

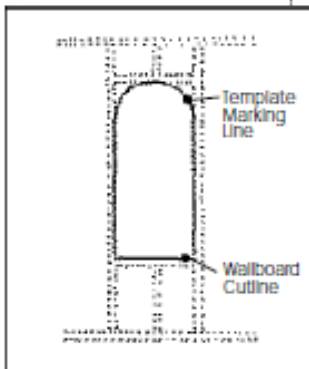


Figure 2

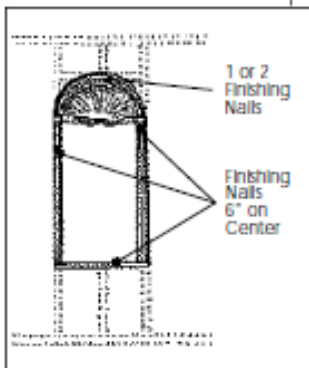


Figure 3

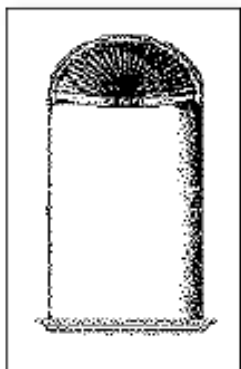


Figure 4

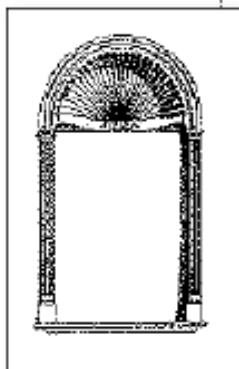


Figure 5

1. Framing

- The Gainsborough Niche requires framing out from or into a new or existing wall.
- Refer to rough opening dimensions and install: (figure 1)
 - vertical studs
 - horizontal braces
 - vertical braces

2. Wall Prep

- Install wallboard.
- Mark locations of studs and braces on wallboard.
- Mark wallboard along line just above bottom horizontal brace between studs. (figure 2)

3. Cutting Wallboard

- Using face of niche as a template, trace cutline on wall, position bottom to rest on horizontal brace. Then cut wallboard. (figure 2)

4. Niche Installation

- Place niche into rough opening, with bottom resting on horizontal brace.
- **Important** - Niche face should be flush with face of wallboard and check for level/plumb.
- Screw or nail into bracing and studs. (figure 3)

5. Shelf Installation

- Apply adhesive to back of shelf bracket; position shelf level to bottom of niche and center.
- Toenail or screw into horizontal brace. (figure 4)

6. Rim and Casing or Pilaster Installation

Rim and Casing Installation

- Don't cut plinths off rim.
- Center rim over niche; leaving scallops of niche exposed.
- Check level of rim; if not level, pull out or push in sides of rim.
- Screw or nail into place.
- Measure distance between rim and shelf bracket, cut casing to fit.
- Level/plumb casing and nail in place.

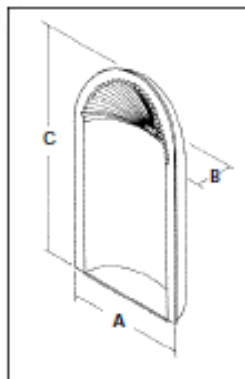
Rim and Pilaster Installation

- Cut plinths off rim.
- Center rim over niche; leaving scallops of niche exposed.
- Check level of rim; if not level, pull out or push in sides of rim.
- Screw or nail into place.
- Measure distance between rim and shelf bracket, trim pilaster from bottom if required.
- Level/plumb casing and nail in place. (figure 5)

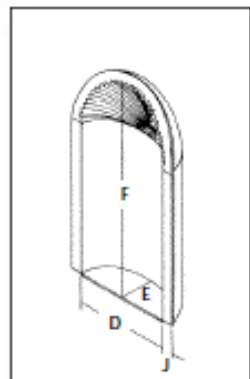
Instructions continued on back

7. Finishing

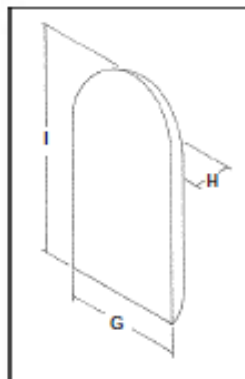
- Countersink all nails and screws then spackle.
- Caulk between elements and wall.
- Spackle and/or Bondo between shelf bracket and niche.
- Sand and reprime if needed.
- Paint with high quality latex or oil-based paint.
- **Do Not** use lacquer-based paints.



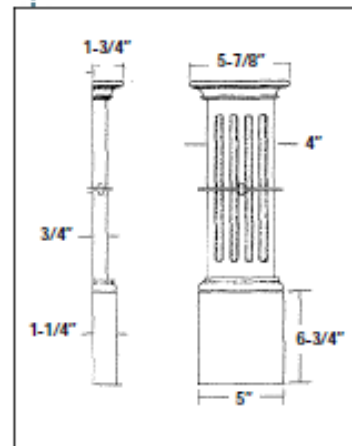
Overall



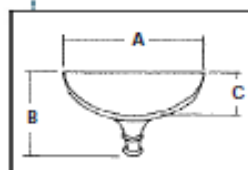
Inside



Rough Opening



Pilaster



Shelf Bracket

Gainsborough Niche

Niche Unit	Overall	Width A	27-1/4"	32-7/8"	
		Depth B	9"	9-7/8"	
		Height C	56"	58-1/2"	
	Inside	Width D	25-1/2"	31"	
		Depth E	7-3/4"	9"	
		Height F	53-5/8"	56-1/2"	
Rough Opening	Width G	28"	33-1/2"		
	Depth H	9-1/4"	10-1/2"		
	Height I	56-1/2"	59-1/2"		
Pilaster	<i>See Illustration</i>		Width J	5-7/8"	5-7/8"
			Proj K	1-3/4"	1-3/4"
Niche Rim	Overall	Width	32-5/8"	37"	
		Height	17-1/2"	19-1/8"	
	Inside	Width	25-3/4"	30"	
		Height	14"	15-5/8"	
Shelf Bracket	Overall	Width A	34-3/4"	41"	
		Height B	3-1/8"	3-1/4"	
		Proj C	3-1/8"	3-1/8"	

Pour instructions de pose, consultez votre distributeur
 Voor verwerkingstips, zie uw groothandelaar
 Für Gebrauchsanweisung, siehe Ihre Großhandler
 Consulta con su distribuidor por direcciones de instalación

Note: Call your sales consultant with any questions.

277 North Front Street
 Wilmington • North Carolina • 28401
 p 800.486.2118 f 910.763.3191
 www.columns.com