

CHADSWORTH COLUMNS

POLYURETHANE BASES LOAD-BEARING – INSTALLATION

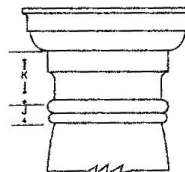
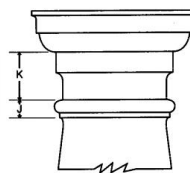


General Information

- A. Storage of columns must be in a dry and well ventilated area.
- B. Before installation, sand then paint shafts, capitals and bases with 2 coats of oil-based primer, followed by 2 coats of oil-based exterior paint. Columns may need finish work prior to application of oil-based exterior primer and paint. We do not recommend storing columns. If they must be stored, however, they must be painted first and stored in a dry, well-ventilated area to protect against moisture. **DO NOT USE LATEX PAINT**
- Columns must be completely protected from moisture before and after installation. Priming of the column does not protect the column from moisture.**
- C. Both ends of the column shaft should be sanded, primed and painted. It is extremely important to completely protect the column from moisture before and after installation.
- D. On exterior columns, we recommend the application of one coat of asphaltum or a good quality oil-based paint on the inside of the shaft four feet up from the bottom & four feet down from the top.
- E. If a furniture finish is required—extensive sanding & priming is necessary.
- F. Ventilation must be provided at the top of the column by a recessed soffit. Polyurethane capitals are vented. Ventilation is provided at the bottom of the column by the polyurethane or wooden base or aluminum plinth. **This ventilation must be maintained at all times for exterior columns.**

VENTILATION IS IMPERATIVE FOR THE LONGEVITY OF YOUR COLUMN. IF COLUMN IS NOT PROPERLY VENTED, THE PAINT MAY PEEL AND THE COLUMN MAY CRACK AND YOUR WARRANTY WOULD BE VOIDED.

A



Shaft Assembly

- A. If you are using a plain wooden or polyurethane capital, trim the top of the column shaft (top of section “K” on diagram) so that staves are of equal length.
- If shaft is trimmed to length, the ends should be sealed with a wood preservative or water sealer followed by two coats of exterior oil-based primer and then exterior oil-based paint. This will help prevent moisture related cracks and premature decay or rot.**
- B. If you are using a decorative plaster capital which will be mounted on the column astragal - section “J”, then first cut off all of section “K” and adjust the length unless done in factory.
- C. Cut at the bottom of the shaft to produce the proper length for your installation unless done in factory.
- D. Apply caulking compound between base and shaft.
- E. Nail or screw shaft to base.

Joining Split Columns, Capitals & Bases/Plinths - See page 6.

B

www.COLUMNS.com

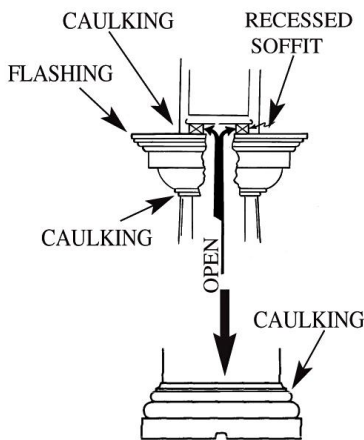
CHADSWORTH INCORPORATED

277 NORTH FRONT STREET ▪ HISTORIC WILMINGTON, NC 28401 ▪ PHONE: 1.800.486.2118 ▪ FACSIMILE: 1.910.763.3191 ▪ E-MAIL: sales@columns.com

POLYURETHANE BASES LOAD-BEARING – INSTALLATION

Polyurethane Base/Plinth

A. On stock columns with 20” diameters or smaller, install two corrosion resistant dowels into the floor. Use a template to mark the location of the dowel placement in the bottom of the polyurethane base/plinth and the flooring. Place the polyurethane plinth/base into the proper position on the floor to make sure that dowels are aligned. This will prevent the base/plinth from moving laterally.



C

B. Level the plinth, if necessary, by scribing it to the floor. It is very important that the plinth is dead level before proceeding to the next step.

C. On stock columns with 12” diameters or smaller, drill holes into the plinth and screw from the bottom of the plinth up into the bottom of the shaft. On stock columns with 14” diameters or larger, drill holes through shaft into base. Attach with drywall screws at an angle.

D. Place the base and shaft assembly over the corrosion resistant dowels.

Polyurethane or Plain Wooden Capital

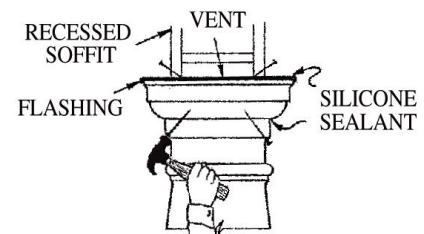
A. Nail or screw capital to column shaft. Nail or screw to soffit. Polyurethane capitals do not need flashing.

To prevent water from damaging exterior wooden capitals, install flashing over capital by bending the metal over the edges of the capital leaving space for ventilation.

B. Use shims to lock the capital in place where the overhead structure cannot be raised.

C. Use caulking compound to seal the joint between soffit and flashing (wooden capitals) and between shaft and capital.

D. After installation, paint entire column assembly with one final coat of oil-based exterior paint.



D

Decorative Composition Capitals

Use same procedure as Authentic Replication Columns.