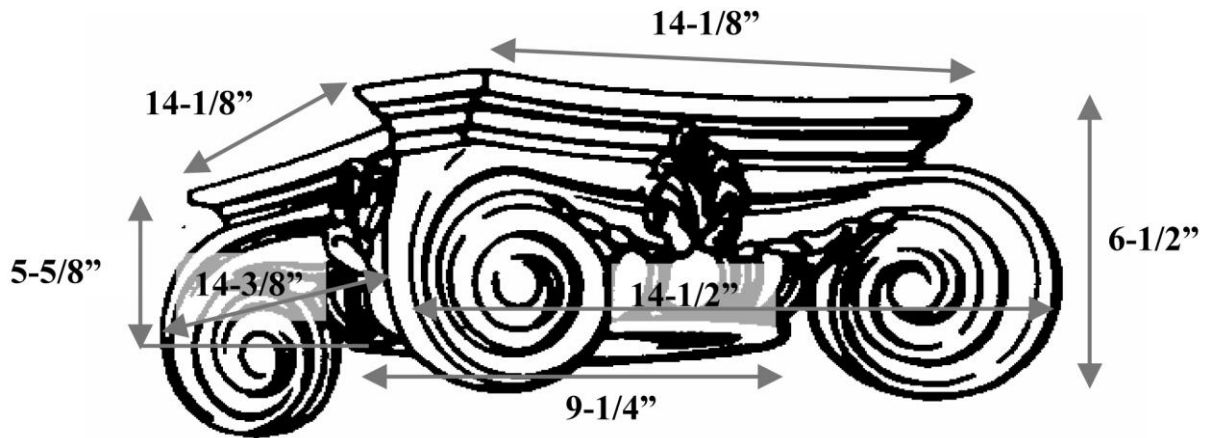


# CHADSWORTH COLUMNS

1-800-COLUMNS | www.COLUMNS.com | shop.columns.com

## EMPIRE CAPITAL FOR A 10" COLUMN



<b>Quantity:</b>	<b>Name:</b> Empire	<b>Diameter:</b> 9-1/4"
<b>Material:</b> PolyStone® Composite	<b>Part #:</b> DECO-E-09-1/4-CM-A-9	<b>Height:</b> 5-5/8"
<b>Load-Bearing:</b> Yes	<b>Column Size:</b> 10"	<b>Abacus:</b> 14-1/8" x 14-1/8"



FULL ROUND



3/4 CORNER ROUND



2/3 CHORD ROUND



HALF ROUND



3/4 CHORD ROUND



SLIDE-ON ROUND



SPLIT FOR REASSEMBLY

APPROVED BY

\_\_\_\_\_

DATE

\_\_\_\_\_

CHADSWORTH'S 1.800.COLUMNS

277 NORTH FRONT STREET  
HISTORIC WILMINGTON, NC 28401

www.COLUMNS.com

PROJECT

\_\_\_\_\_

CUSTOMER

\_\_\_\_\_