

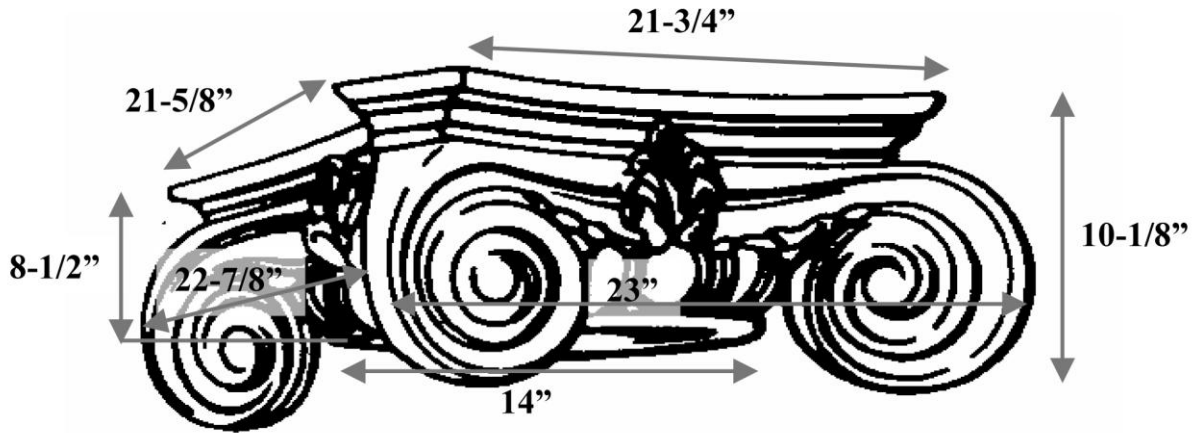


# CHADSWORTH COLUMNS



1-800-COLUMNS | [www.COLUMNS.com](http://www.COLUMNS.com) | [shop.columns.com](http://shop.columns.com)

## EMPIRE CAPITAL FOR A 16" COLUMN



<b>Quantity:</b>	<b>Name:</b> Empire	<b>Diameter:</b> 14"
<b>Material:</b> PolyStone® Composite	<b>Part #:</b> DECO-E-14-CM-A-9	<b>Height:</b> 8-1/2"
<b>Load-Bearing:</b> Yes	<b>Column Size:</b> 16"	<b>Abacus:</b> 21-3/4" x 21-5/8"



FULL  
ROUND



3/4 CORNER  
ROUND



2/3 CHORD  
ROUND



HALF  
ROUND



3/4 CHORD  
ROUND



SLIDE-ON  
ROUND



SPLIT FOR  
REASSEMBLY

APPROVED BY

\_\_\_\_\_

DATE

\_\_\_\_\_

CHADSWORTH'S 1.800.COLUMNS

277 NORTH FRONT STREET  
HISTORIC WILMINGTON, NC 28401

[www.COLUMNS.com](http://www.COLUMNS.com)

PROJECT

\_\_\_\_\_

CUSTOMER

\_\_\_\_\_