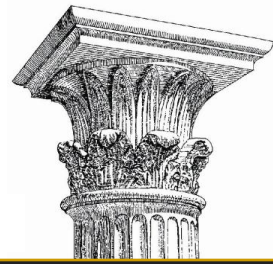
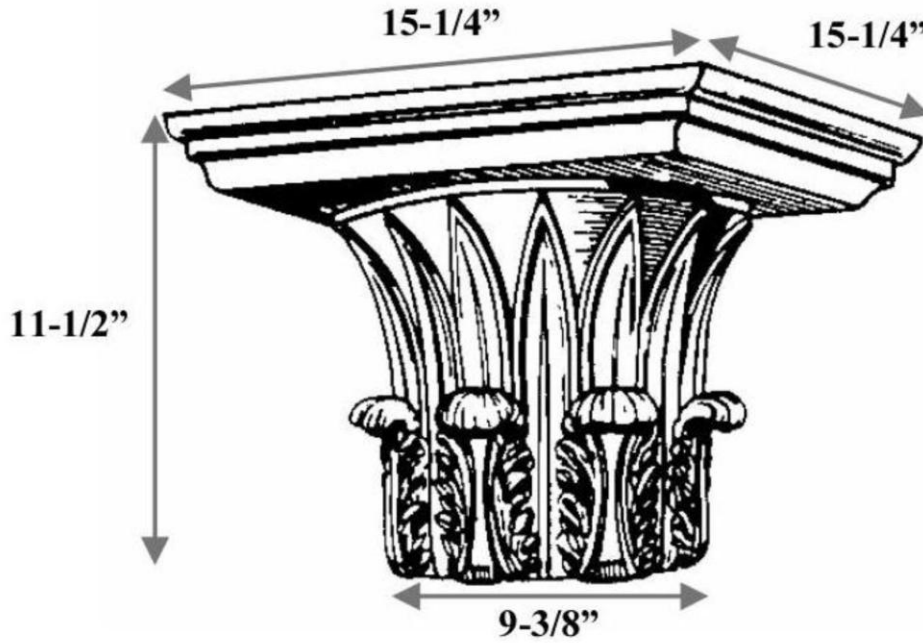


CHADSWORTH COLUMNS



1-800-COLUMNS | www.COLUMNS.com | shop.columns.com

GREEK CORINTHIAN "TOWER OF THE WINDS" CAPITAL FOR A 12" COLUMN



Quantity:	Name: Greek Corinthian	Diameter: 9-3/8"
Material: PolyStone® Composite	Part #: DECO-GC-09-3/8-CM-A-9	Height: 11-1/2"
Load-Bearing: Yes	Column Size: 12"	Abacus: 15-1/4" x 15-1/4"



FULL
ROUND



3/4 CORNER
ROUND



2/3 CHORD
ROUND



HALF
ROUND



3/4 CHORD
ROUND



SLIDE-ON
ROUND



SPLIT FOR
REASSEMBLY

APPROVED BY

DATE

CHADSWORTH'S 1.800.COLUMNS

277 NORTH FRONT STREET
HISTORIC WILMINGTON, NC 28401

www.COLUMNS.com

PROJECT

CUSTOMER
