

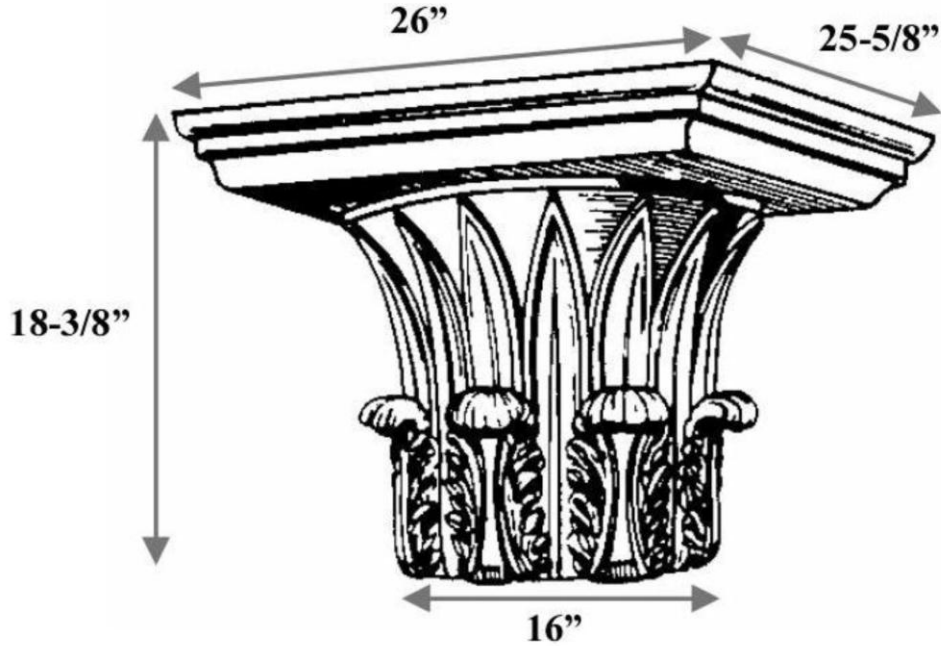


CHADSWORTH COLUMNS



1-800-COLUMNS | www.COLUMNS.com | shop.columns.com

GREEK CORINTHIAN "TOWER OF THE WINDS" CAPITAL FOR AN 18" COLUMN



Quantity:	Name: Greek Corinthian	Diameter: 16"
Material: PolyStone® Composite	Part #: DECO-GC-16-CM-A-9	Height: 18-3/8"
Load-Bearing: Yes	Column Size: 18"	Abacus: 26" x 25-5/8"



FULL ROUND



3/4 CORNER ROUND



2/3 CHORD ROUND



HALF ROUND



3/4 CHORD ROUND



SLIDE-ON ROUND



SPLIT FOR REASSEMBLY

APPROVED BY

DATE

CHADSWORTH'S 1.800.COLUMNS

277 NORTH FRONT STREET
HISTORIC WILMINGTON, NC 28401

www.COLUMNS.com

PROJECT

CUSTOMER
