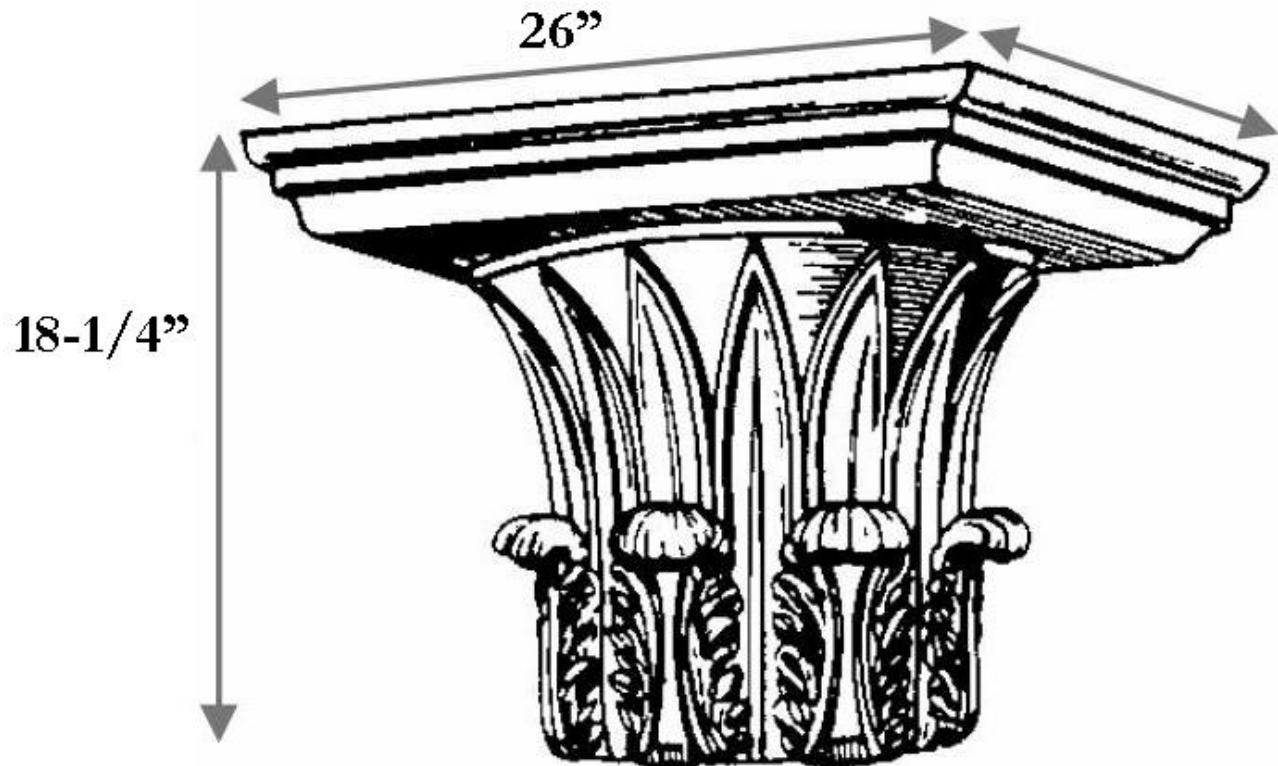


# CHADSWORTH INCORPORATED

## POLYURETHANE GREEK CORINTHIAN CAPITALS

FOR A 16" COLUMN



### SPECIFICATIONS

Load Bearing:	No
Material:	High Quality Polyurethane
Column Size:	16"
Height:	18-1/4"
Abacus:	26"
Capital Projection:	11-1/8"
Outside to Outside:	26"