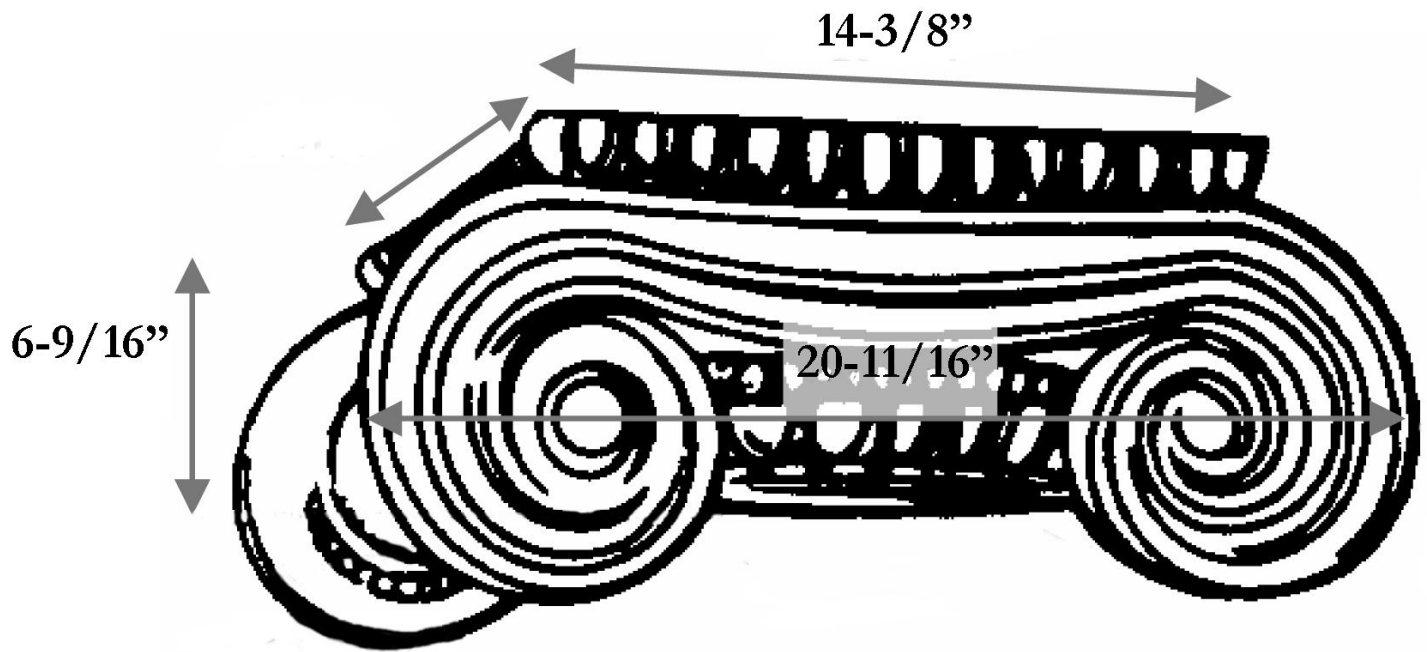


CHADSWORTH INCORPORATED

POLYURETHANE GREEK ERECHTHEUM CAPITALS

FOR A 12" COLUMN



SPECIFICATIONS

Load Bearing:	No
Material:	High Quality Polyurethane
Column Size:	12"
Height:	6-9/16"
Abacus:	14-3/8"
Capital Projection:	7-1/2"
Outside to Outside:	20-11/16"