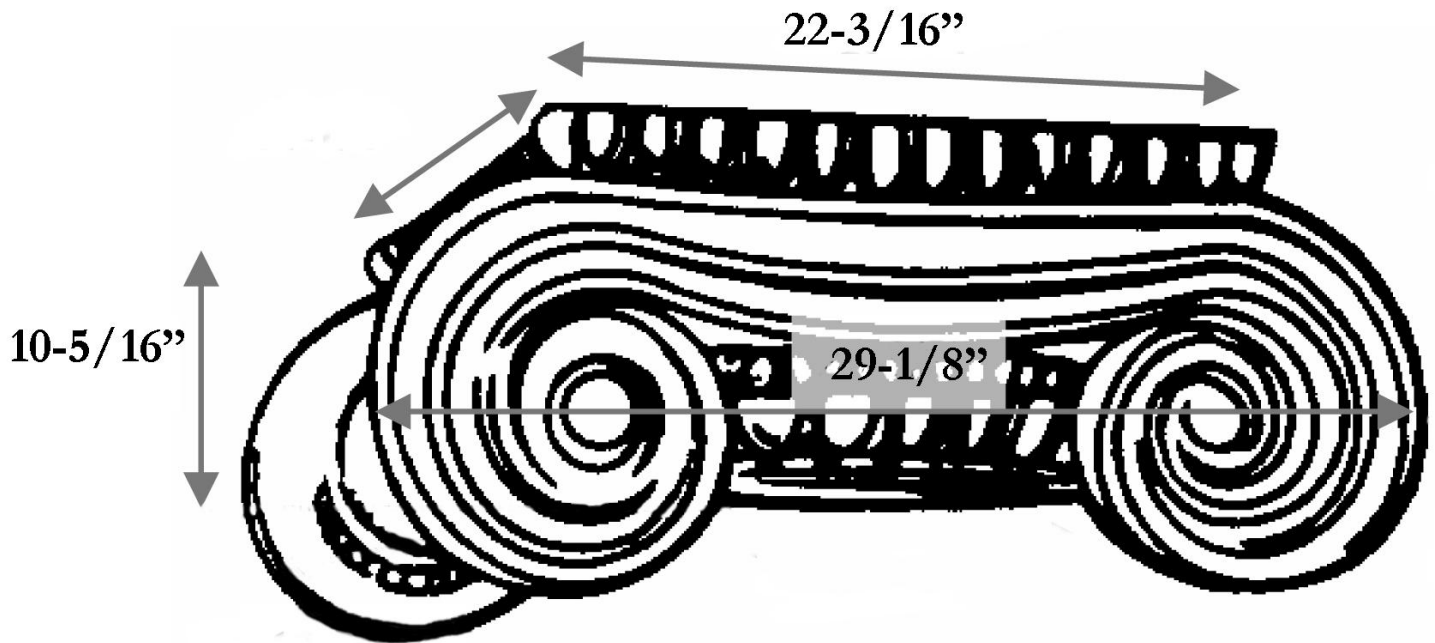


# CHADSWORTH INCORPORATED

## POLYURETHANE GREEK ERECHTHEUM CAPITALS

FOR AN 18" COLUMN



### SPECIFICATIONS

Load Bearing:	No
Material:	High Quality Polyurethane
Column Size:	18"
Height:	10-5/16"
Abacus:	22-3/16"
Capital Projection:	9-1/2"
Outside to Outside:	29-1/8"