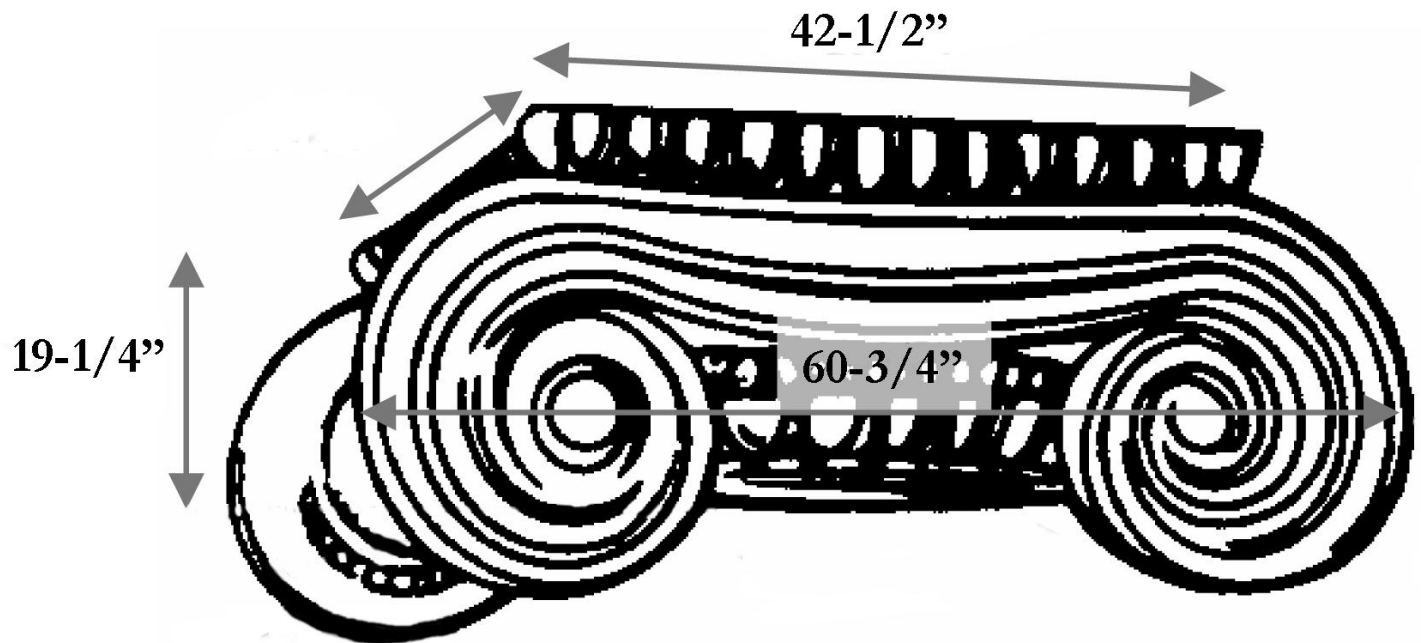


# CHADSWORTH INCORPORATED

## POLYURETHANE GREEK ERECHTHEUM CAPITALS

FOR A 30" COLUMN



### SPECIFICATIONS

Load Bearing:	No
Material:	High Quality Polyurethane
Column Size:	30"
Height:	19-1/4"
Abacus:	42-1/2"
Capital Projection:	19-1/2"
Outside to Outside:	60-3/4"

CHADSWORTH INCORPORATED • 277 NORTH FRONT STREET • HISTORIC WILMINGTON, NC 28401

PHONE: 1.800.486.2118 • FAX: 910.763.3191 • E-MAIL: [sales@columns.com](mailto:sales@columns.com)