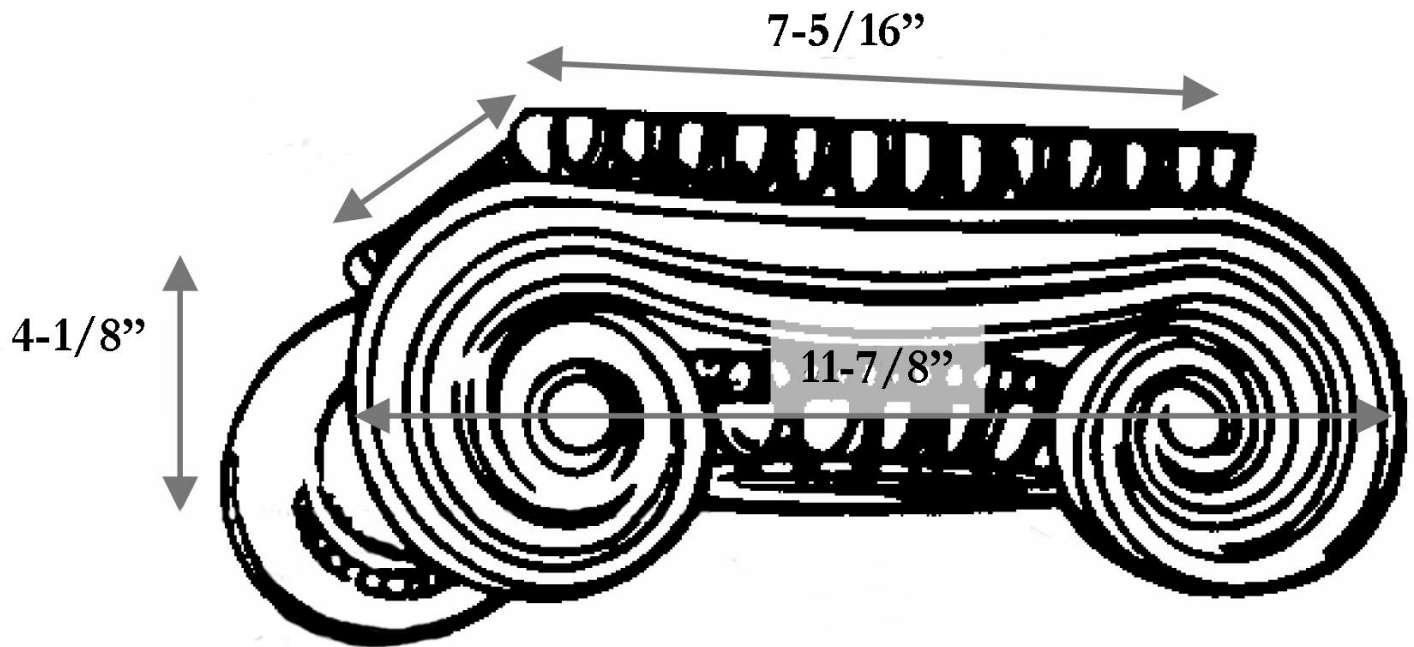


CHADSWORTH INCORPORATED

POLYURETHANE GREEK ERECHTHEUM CAPITALS

FOR AN 8" COLUMN



SPECIFICATIONS

Load Bearing:	No
Material:	High Quality Polyurethane
Column Size:	8"
Height:	4-1/8"
Abacus:	7-5/16"
Capital Projection:	3-5/8"
Outside to Outside:	11-7/8"