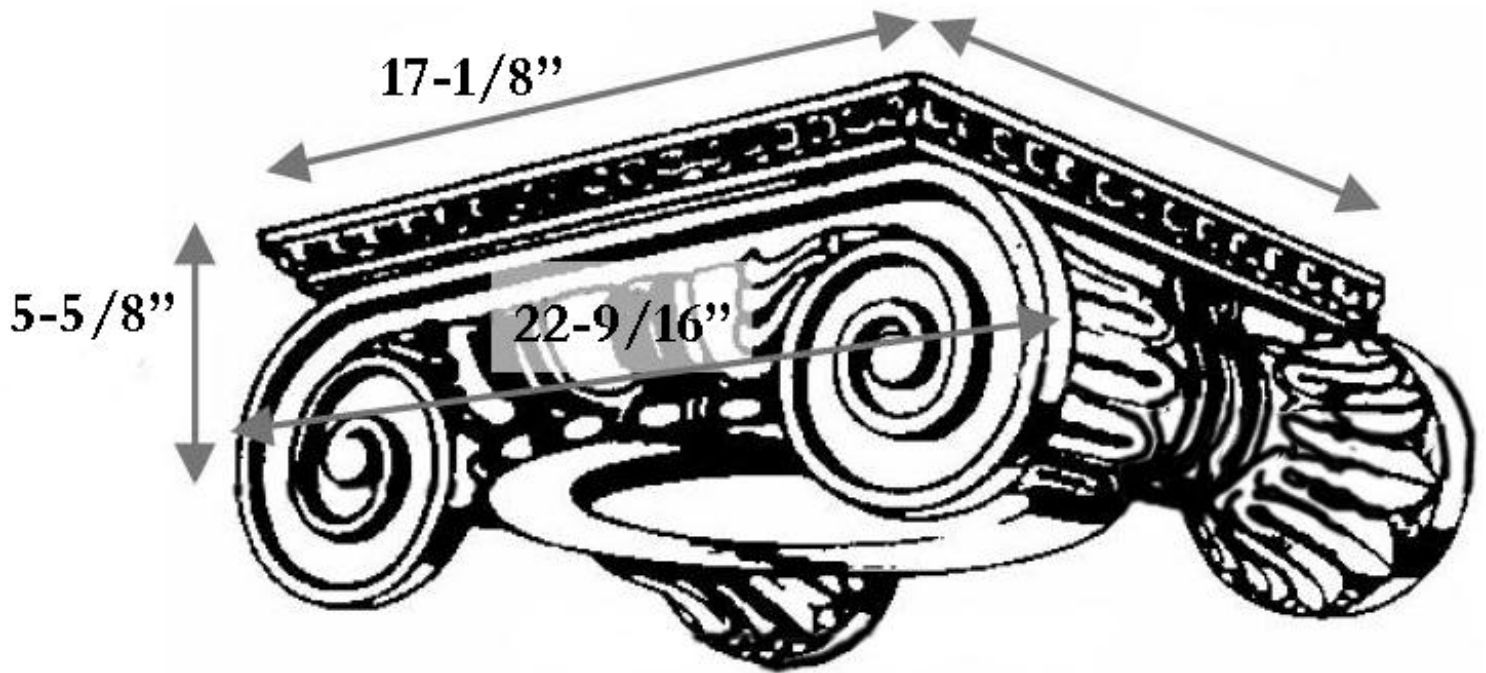


CHADSWORTH INCORPORATED

POLYURETHANE ROMAN IONIC CAPITALS

FOR A 14" COLUMN



SPECIFICATIONS

Load Bearing:	No
Material:	High Quality Polyurethane
Column Size:	14"
Height:	5-5/8"
Abacus:	17-1/8"
Capital Projection:	7-7/8"
Outside to Outside:	22-9/16"