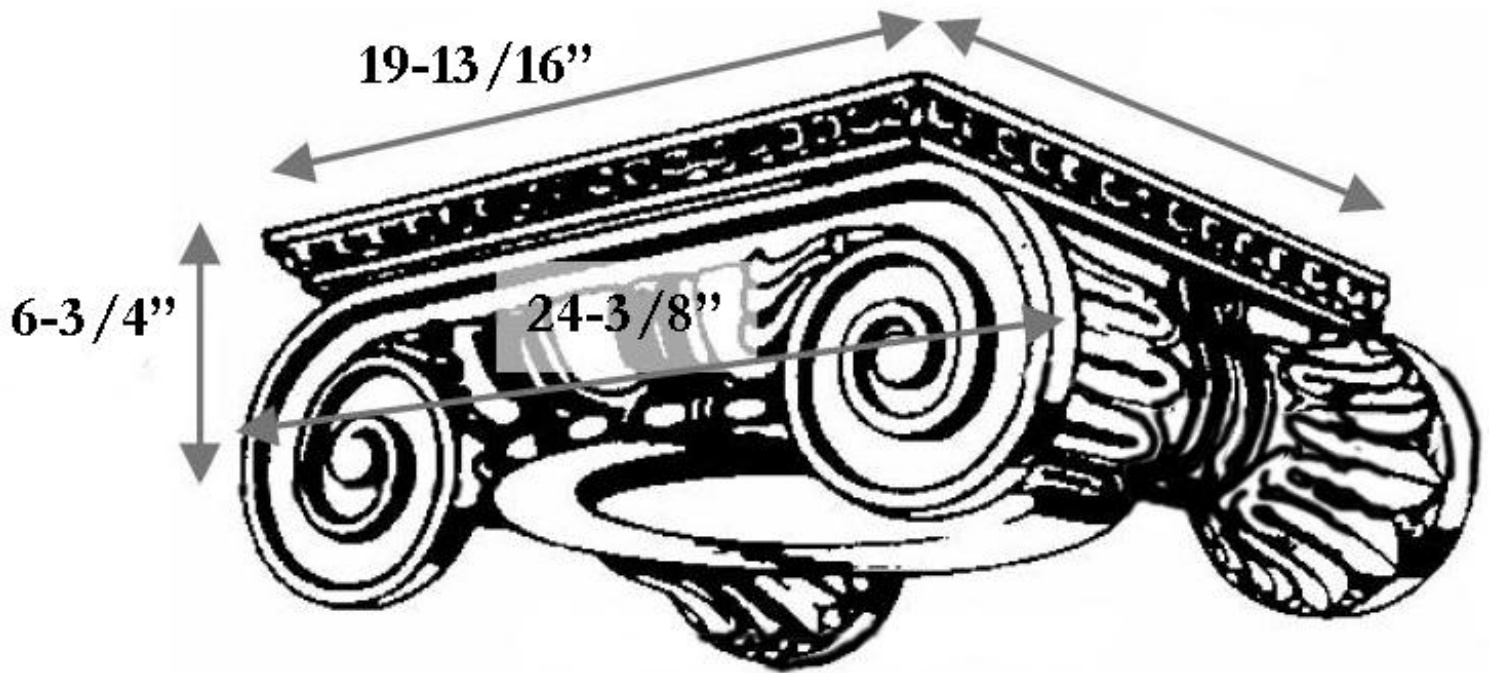


CHADSWORTH INCORPORATED

POLYURETHANE ROMAN IONIC CAPITALS

FOR A 16" COLUMN



SPECIFICATIONS

Load Bearing:	No
Material:	High Quality Polyurethane
Column Size:	16"
Height:	6-3/4"
Abacus:	19-13/16"
Capital Projection:	8"
Outside to Outside:	24-3/8"

CHADSWORTH INCORPORATED • 277 NORTH FRONT STREET • HISTORIC WILMINGTON, NC 28401

PHONE: 1.800.486.2118 • FAX: 910.763.3191 • E-MAIL: sales@columns.com