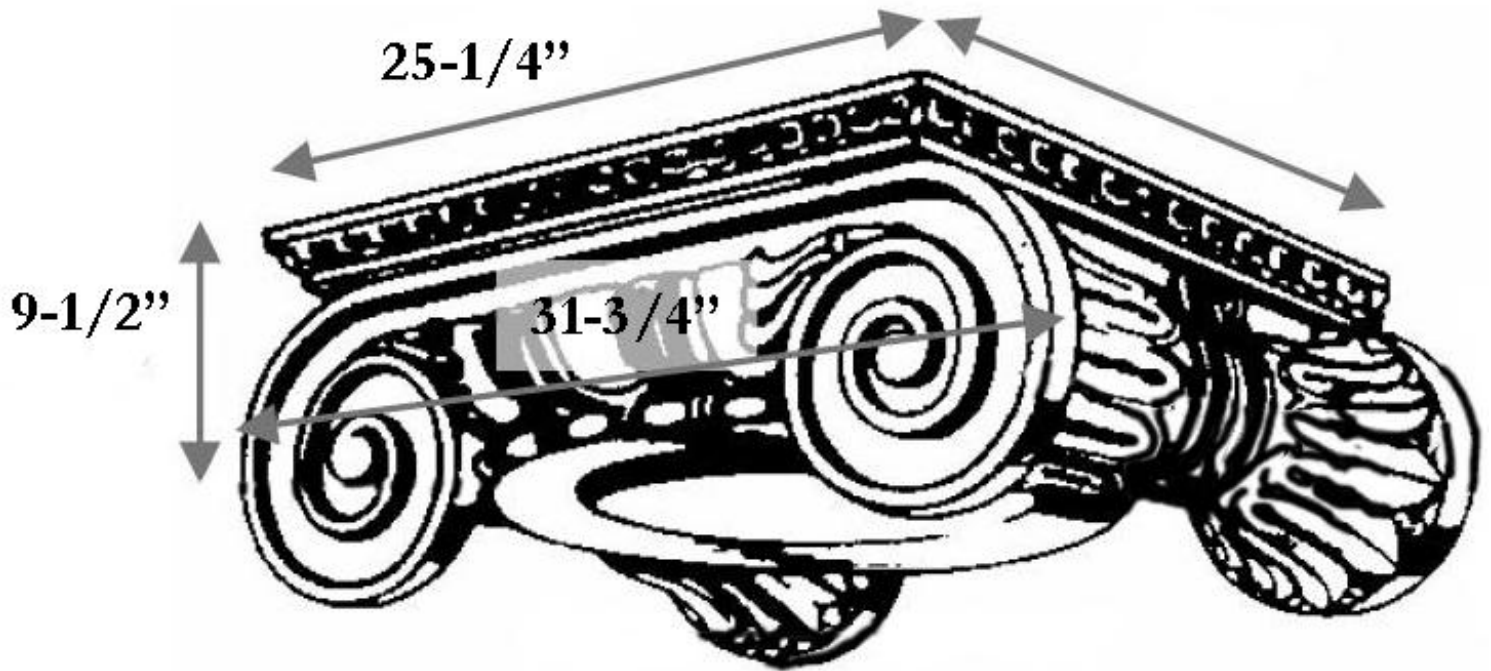


# CHADSWORTH INCORPORATED

## POLYURETHANE ROMAN IONIC CAPITALS

FOR A 20" COLUMN



### SPECIFICATIONS

Load Bearing:	No
Material:	High Quality Polyurethane
Column Size:	20"
Height:	9-1/2"
Abacus:	25-1/4"
Capital Projection:	11-1/4"
Outside to Outside:	31-3/4"