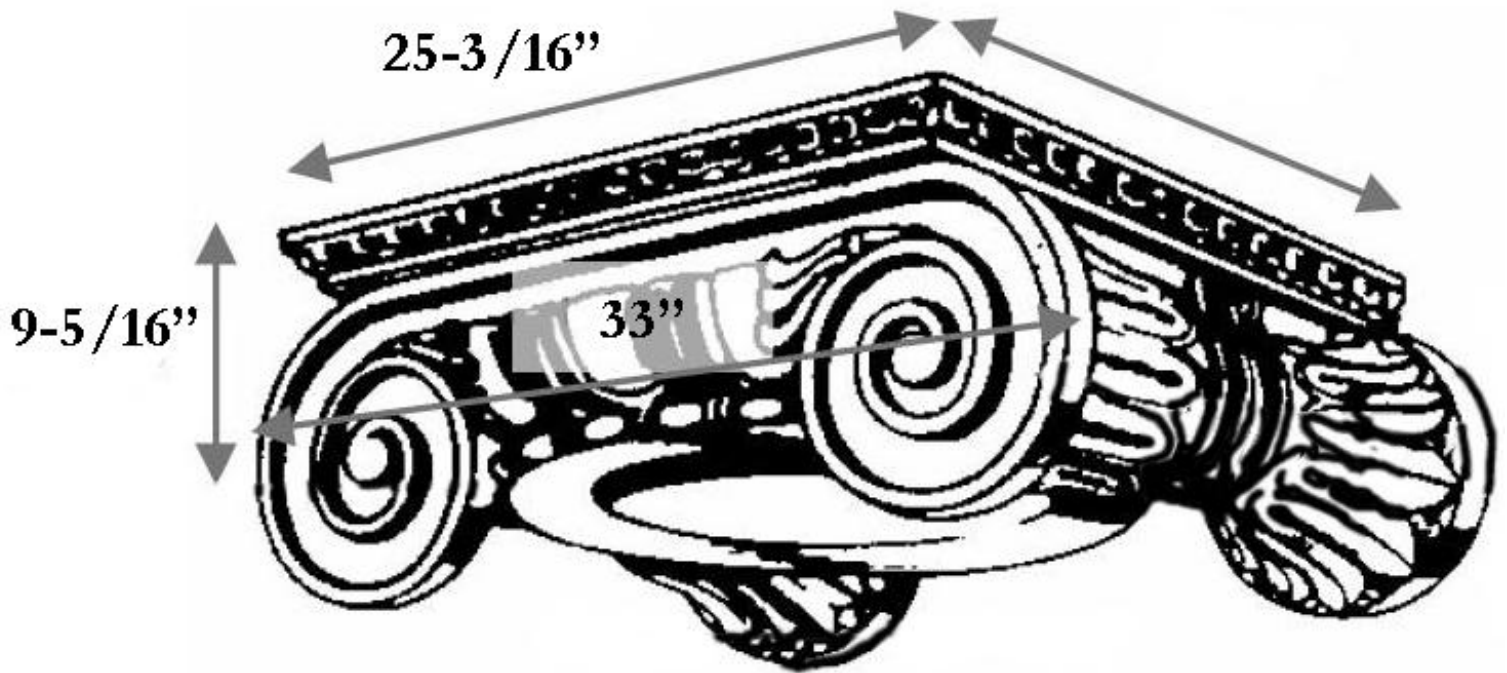


CHADSWORTH INCORPORATED

POLYURETHANE ROMAN IONIC CAPITALS

FOR A 22" COLUMN



SPECIFICATIONS

Load Bearing:	No
Material:	High Quality Polyurethane
Column Size:	22"
Height:	9-5/16"
Abacus:	25-3/16"
Capital Projection:	10"
Outside to Outside:	33"