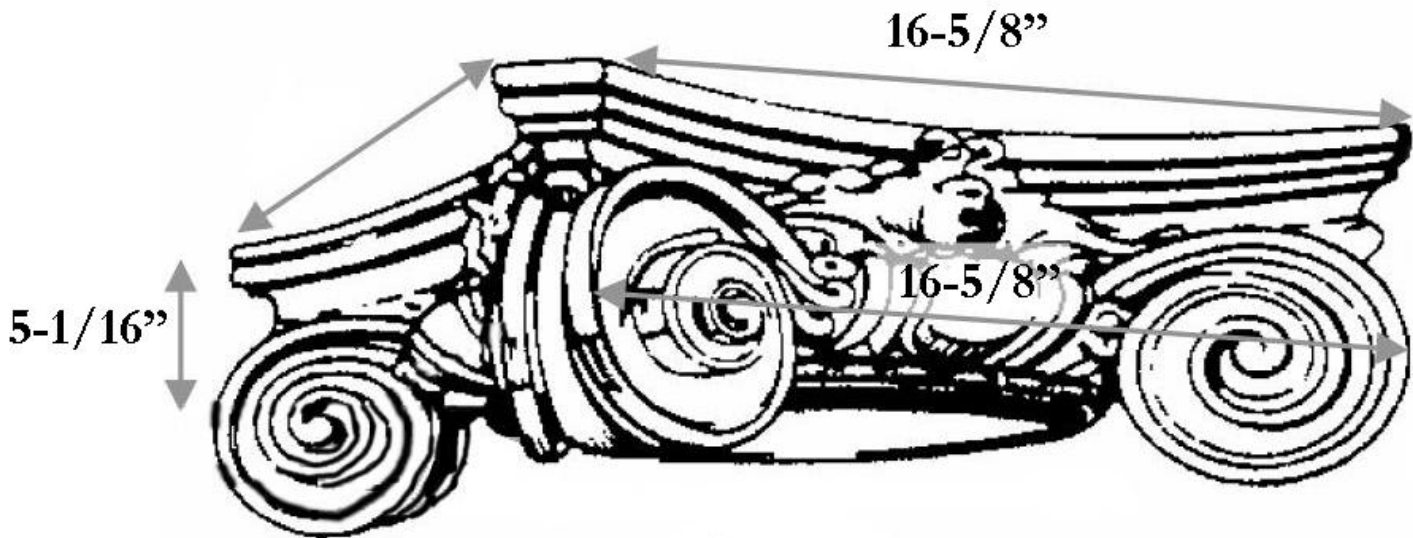


CHADSWORTH INCORPORATED

POLYURETHANE SCAMOZZI CAPITALS

FOR A 12" COLUMN



SPECIFICATIONS

Load Bearing:	No
Material:	High Quality Polyurethane
Column Size:	12"
Height:	5-1/16"
Abacus:	16-5/8"
Capital Projection:	6"
Outside to Outside:	16-5/8"