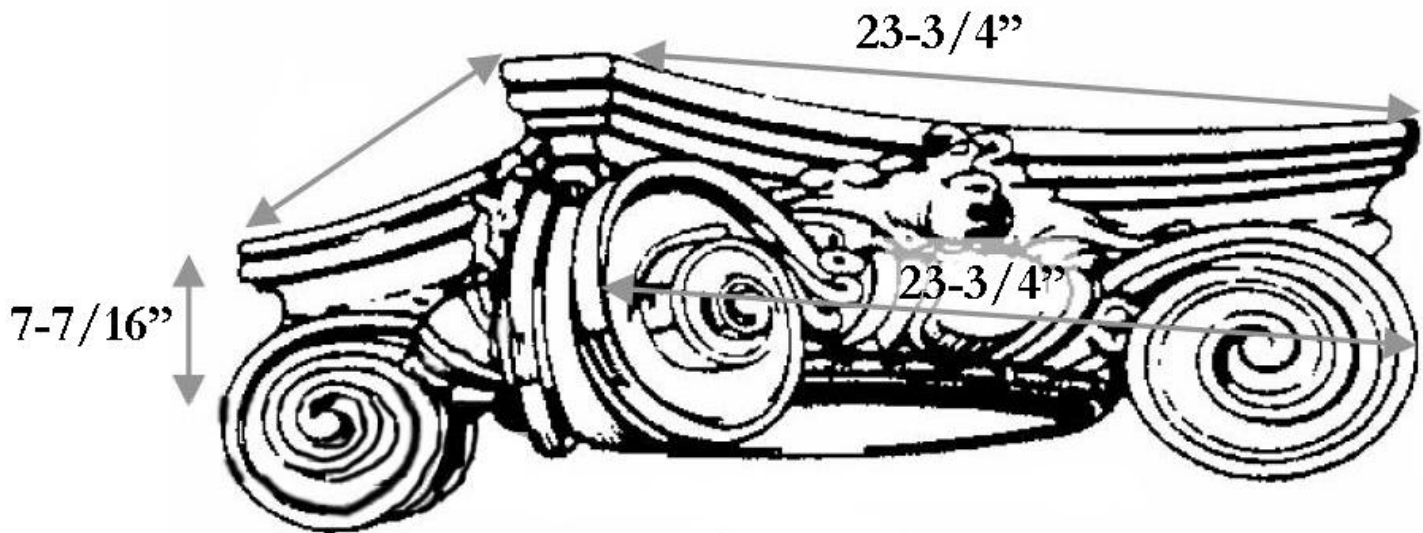


# CHADSWORTH INCORPORATED

## POLYURETHANE SCAMOZZI CAPITALS

FOR A 16" COLUMN



### SPECIFICATIONS

Load Bearing:	No
Material:	High Quality Polyurethane
Column Size:	16"
Height:	7-7/16"
Abacus:	23-3/4"
Capital Projection:	8-3/4"
Outside to Outside:	23-3/4"