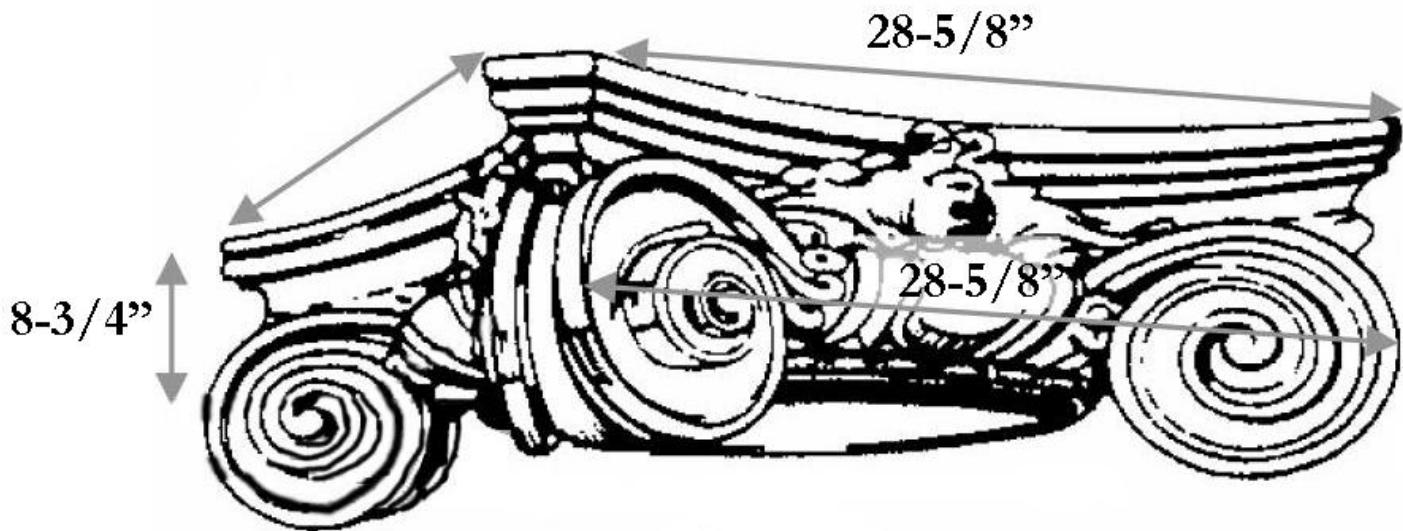


CHADSWORTH INCORPORATED

POLYURETHANE SCAMOZZI CAPITALS

FOR AN 18" COLUMN



SPECIFICATIONS

Load Bearing:	No
Material:	High Quality Polyurethane
Column Size:	18"
Height:	8-3/4"
Abacus:	28-5/8"
Capital Projection:	10-1/4"
Outside to Outside:	28-5/8"