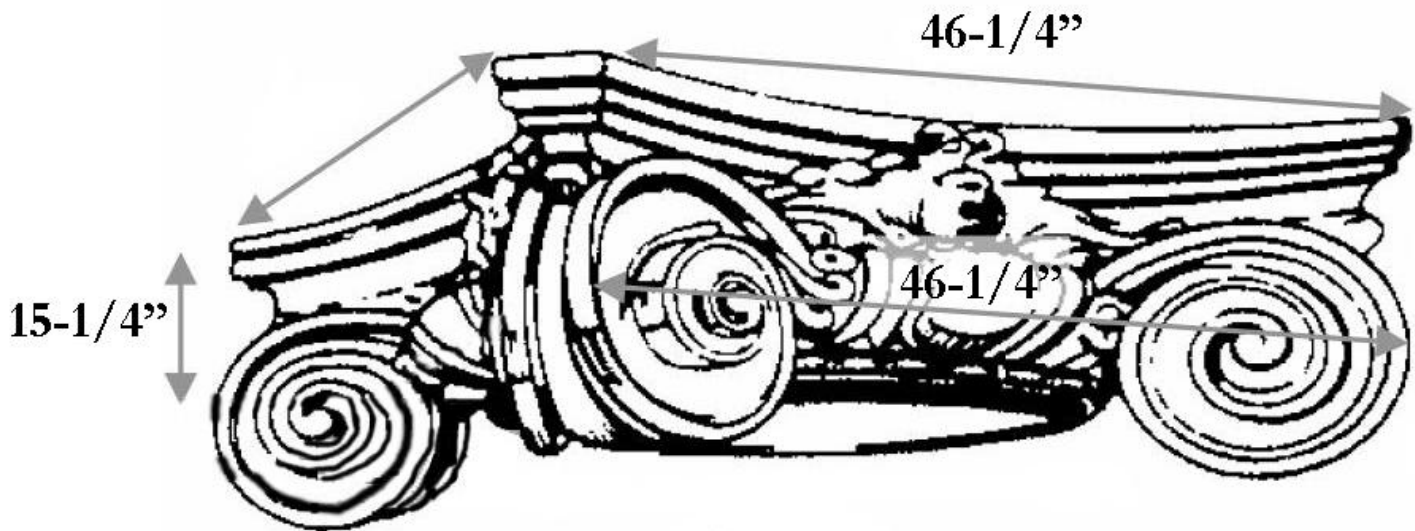


CHADSWORTH INCORPORATED

POLYURETHANE SCAMOZZI CAPITALS

FOR A 30" COLUMN



SPECIFICATIONS

Load Bearing:	No
Material:	High Quality Polyurethane
Column Size:	30"
Height:	15-1/4"
Abacus:	46-1/4"
Capital Projection:	16-1/8"
Outside to Outside:	46-1/4"