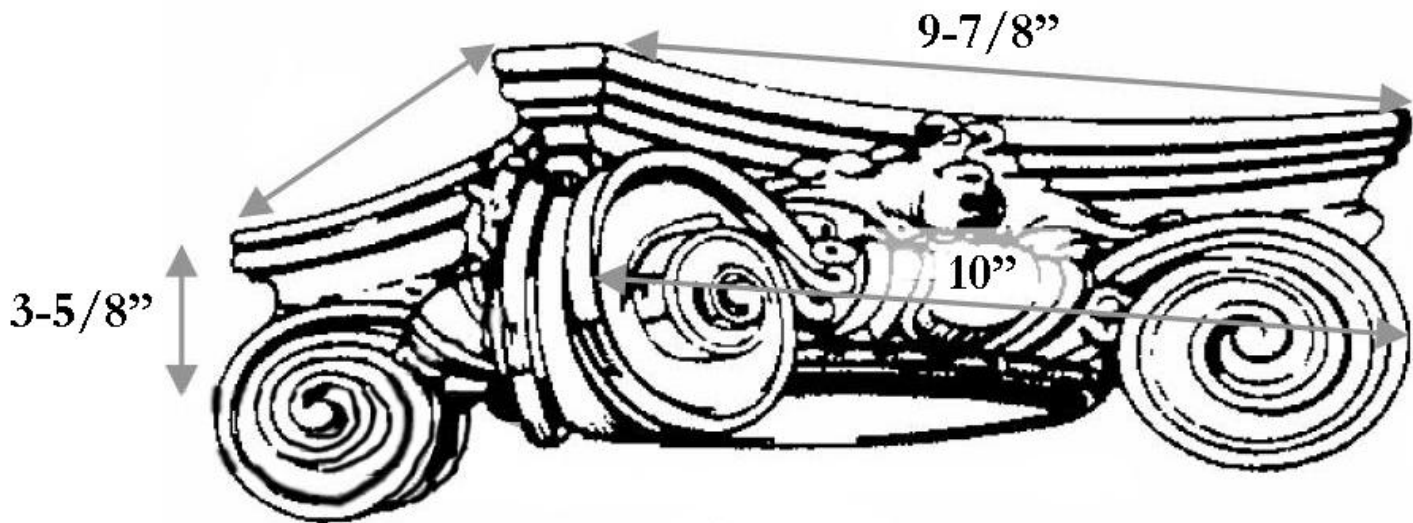


CHADSWORTH INCORPORATED

POLYURETHANE SCAMOZZI CAPITALS

FOR AN 8" COLUMN



SPECIFICATIONS

Load Bearing:	No
Material:	High Quality Polyurethane
Column Size:	8"
Height:	3-5/8"
Abacus:	9-7/8"
Capital Projection:	3-3/8"
Outside to Outside:	10"