



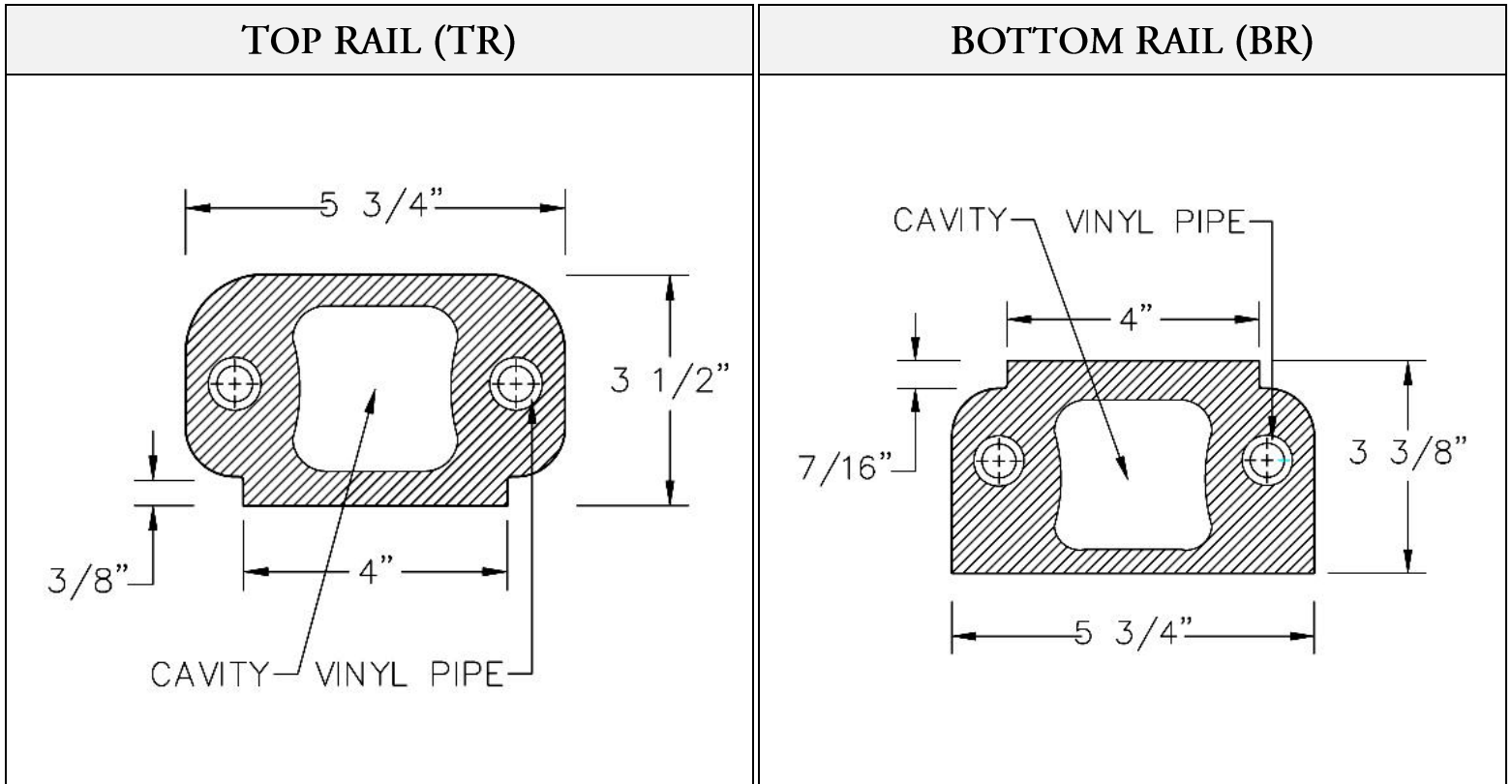
# CHADSWORTH COLUMNS



1-800-COLUMNS | www.COLUMNS.com | shop.columns.com

## CLASSIC STONE (PRE-FINISHED) BALUSTRADE RAILINGS

### DESIGN #6



\*The Lengths for these rails are from 1' – 12'

|                                  |
|----------------------------------|
| <b>Quantity:</b>                 |
| <b>Material:</b> Classic Stone   |
| <b>Part #:</b> BAL-RAIL-06-CS-18 |

|                            |
|----------------------------|
| <b>(TR) Width:</b> 5-3/4"  |
| <b>(TR) Base Width:</b> 4" |
| <b>(TR) Height:</b> 3-1/2" |

|                            |
|----------------------------|
| <b>(BR) Width:</b> 5-3/4"  |
| <b>(BR) Base Width:</b> 4" |
| <b>(BR) Height:</b> 3-3/8" |

|                             |
|-----------------------------|
| <b>APPROVED BY</b><br>_____ |
| <b>DATE</b><br>_____        |

**CHADSWORTH'S 1.800.COLUMNS**  
 277 NORTH FRONT STREET  
 HISTORIC WILMINGTON, NC 28401  
 www.COLUMNS.com

|                          |
|--------------------------|
| <b>PROJECT</b><br>_____  |
| <b>CUSTOMER</b><br>_____ |