

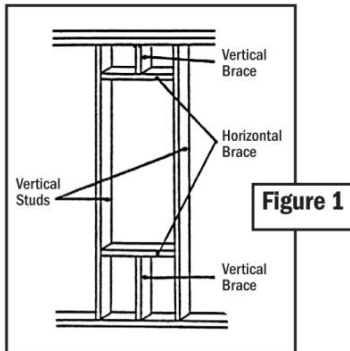
WALL NICHE “SERIES B” – INSTALLATION

Instructions for the Monterey, Sonoma, Waverly, & Waverly II Niche Designs

Please Read And Follow All Installation Instructions Carefully

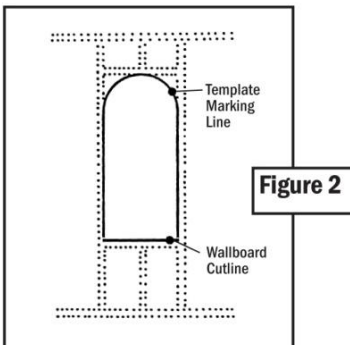
1. FRAMING

- Niches may require framing out from or into a new or existing wall.
- Refer to rough opening dimensions and install (*figure 1*):
 - vertical studs
 - horizontal braces
 - vertical braces



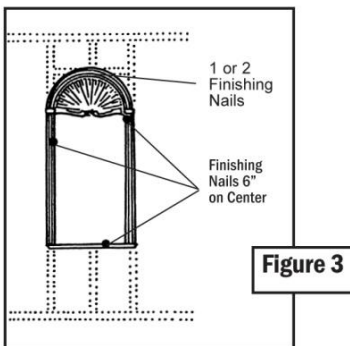
2. WALL PREP

- Install wallboard.
- Mark locations of studs and braces on wallboard.
- Mark wallboard along line just above bottom horizontal brace between studs. (*figure 2*)



3. CUTTING WALLBOARD

- Using face of niche as a template, trace cutline on wall.
- Measure in $\frac{3}{4}$ " from template line on top and sides.
- Cut through wallboard using inside line as a guide for top and sides.
- Cut bottom as marked in step 2. (*figure 2*)

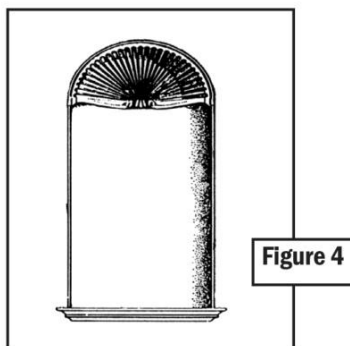


4. NICHE INSTALLATION

- Place niche into rough opening, with bottom resting on horizontal brace.
- Check for plumb/level then screw or nail into bracing and studs. (*figure 3*)

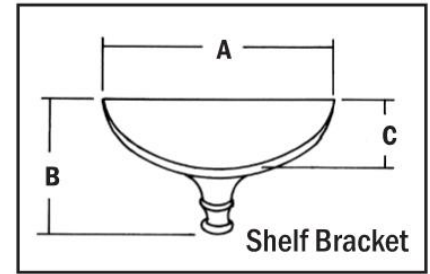
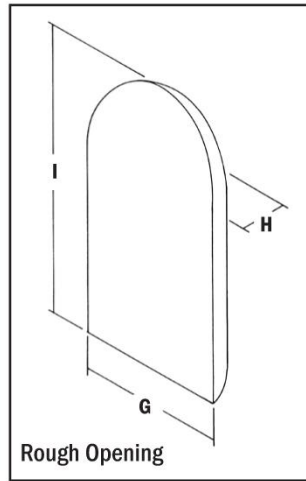
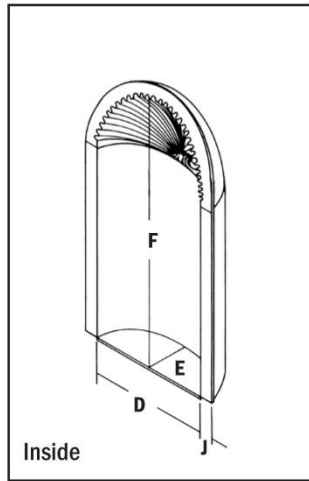
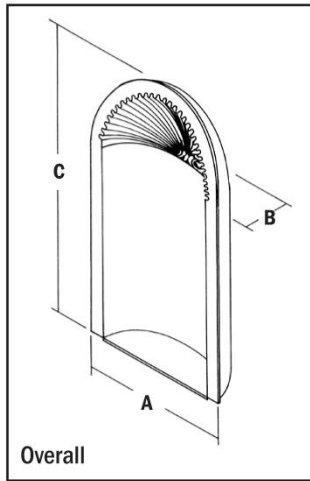
5. SHELF INSTALLATION

- Apply adhesive to back of shelf bracket
- Position shelf level to bottom of niche. (*figure 4*)
- Center under niche, check level and toenail or screw into horizontal brace.



6. FINISHING

- Countersink all nails and screws then spackle.
- Caulk between elements and wall.
- Spackle and/or Bond between shelf bracket and niche.
- Sand and re-prime if needed.
- Paint with high quality latex or oil-based paint.
- **Do Not** use lacquer-based paints.



Niche Unit Sets			Chatham	Waverly	Waverly	Wesley	Bellemeade	Sonoma	Sonoma	Monterey
Niche Unit	Overall	Width A	29-3/4"	22-3/4"	16-3/4"	16-3/4"	15-5/8"	16-7/8"	29-3/4"	16-7/8"
		Depth B	10"	7-5/8"	4"	4"	6-3/4"	5"	8-1/4"	5"
		Height C	57-1/8"	43-3/8"	36-1/2"	36-1/2"	29-5/8"	36"	56-3/4"	36"
	Inside	Width D	24"	17-3/4"	12-3/4"	12-3/4"	10-1/2"	13"	25-1/4"	13"
		Depth E	7-3/4"	6-5/16"	3-1/2"	3-1/2"	5"	3-1/2"	7-5/8"	3-1/2"
		Height F	53-5/8"	39-13/16"	34-1/4"	34-1/4"	25-13/16"	33-5/16"	53-3/4"	33-5/16"
	Rough Opening	Width G	28"	21-3/8"	14-1/2"	14-1/2"	12-1/2"	14-1/2"	28"	14-1/2"
		Depth H	9-1/4"	7-1/4"	4"	4"	6"	4"	9-1/4"	4"
		Height I	56"	42-1/2"	35-1/2"	35-1/2"	28-1/4"	35"	56"	35"
Integral Casing/Pilaster		Width J	2"	2-3/8"	1-7/8"	1-7/8"	2-5/16"	1-3/4"	2"	1-3/4"
		Proj K	7/8"	9/16"	5/8"	5/8"	13/16"	1"	1-1/4"	1"
Shelf Bracket	Overall	Width A	3-15/16"	25-9/16"	18-1/4"	17-1/4"	16-5/8"	17-1/4"	3-15/16"	3-15/16"
		Height B	3-1/8"	8-7/8"	6-1/4"	3-1/8"	6"	3-1/8"	3-1/8"	3-1/8"
		Proj C	3-1/8"	7-1/2"	5-1/4"	3-1/8"	6-1/8"	3-1/8"	3-1/8"	3-1/8"