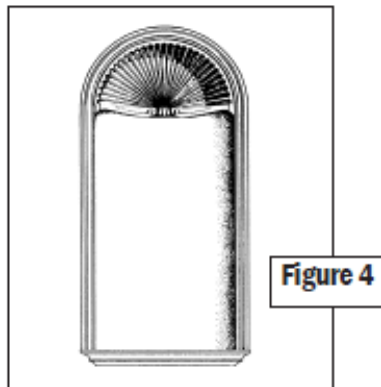
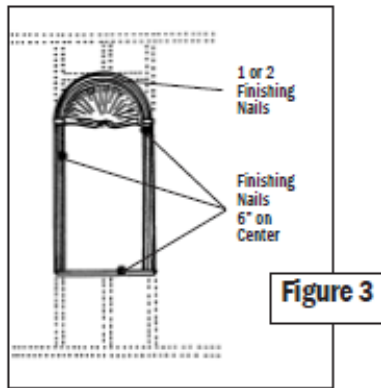
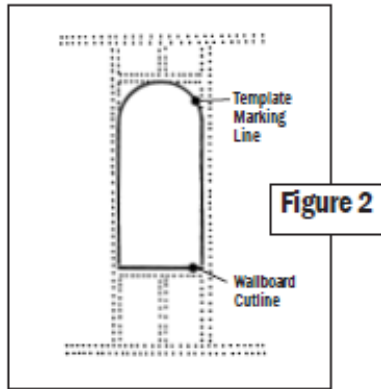
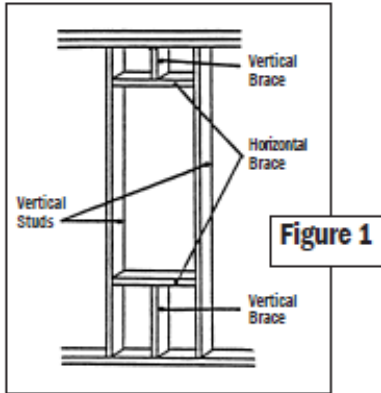


CHADSWORTH INCORPORATED



Please Read And Follow All Installation Instructions Carefully

General

- We recommend that products be on the job site before installation.
- It is the installer's responsibility to ensure installation conforms to local building codes.

1. Framing

- Niches may require framing out from or into a new or existing wall.
- Refer to rough opening dimensions and install (*figure 1*):
 - vertical studs
 - horizontal braces
 - vertical braces

2. Wall Prep

- Install wallboard.
- Mark locations of studs and braces on wallboard.
- Mark wallboard along line just above bottom horizontal brace between studs. (*figure 2*)

3. Cutting Wallboard

- Using face of niche as a template, trace cutline on wall.
- Measure in $\frac{3}{4}$ " from template line on top and sides.
- Cut through wallboard using inside line as a guide for top and sides.
- Cut bottom as marked in step 2. (*figure 2*)

4. Niche Installation

- Place niche into rough opening, with bottom resting on horizontal brace.
- Check for plumb/level then screw or nail into bracing and studs. (*figure 3*)

5. Shelf Installation

- Apply adhesive to back of shelf bracket.
- Position shelf bracket level with bottom of niche. (*figure 4*)
- Center under niche, check level and toenail or screw into horizontal brace.

6. Finishing

- Countersink all nails and screws then spackle.
- Caulk between elements and wall.
- Spackle and/or Bondo between shelf bracket and niche.
- Sand and reprime if needed.
- Paint with high quality latex or oil-based paint.
- Do Not use lacquer-based paints.