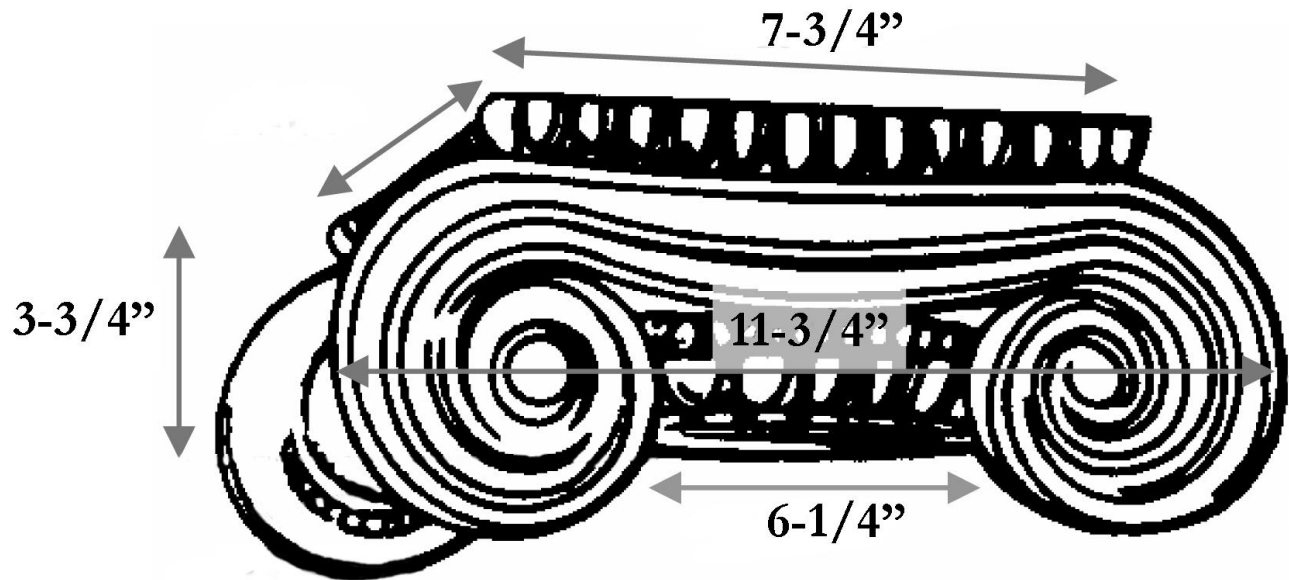


CHADSWORTH INCORPORATED

CAST RESIN CAPITALS

6-1/4" GREEK ERECHTHEUM



SPECIFICATIONS

Load Bearing:	Yes
Material:	Cast Polyester Resin
Base Width:	6-1/4"
Height:	3-3/4"
Abacus:	7-3/4"
Scroll to Scroll:	11-3/4"