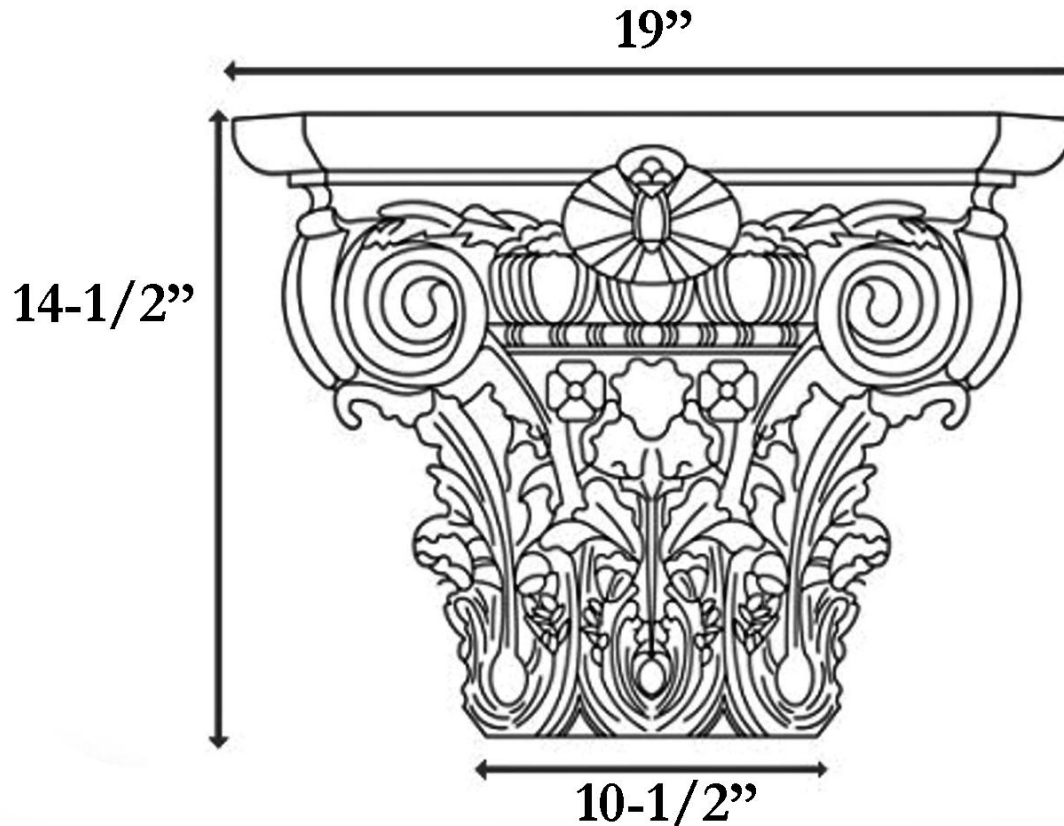


CHADSWORTH INCORPORATED

CAST RESIN CAPITALS

10-1/2" MODERN COMPOSITE



SPECIFICATIONS

Load Bearing:	Yes
Material:	Cast Polyester Resin
Base Width:	10-1/2"
Height:	14-1/2"
Abacus:	19"