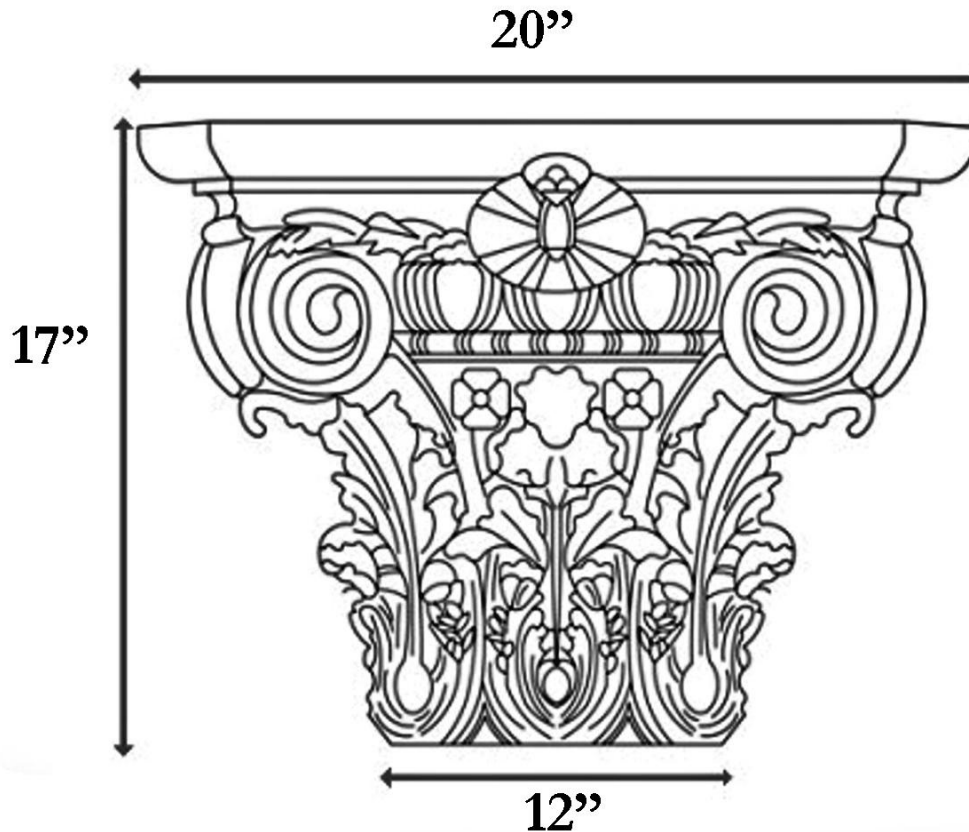


# CHADSWORTH INCORPORATED

## CAST RESIN CAPITALS

12" MODERN COMPOSITE



### SPECIFICATIONS

Load Bearing:	Yes
Material:	Cast Polyester Resin
Base Width:	12"
Height:	17"
Abacus:	20"