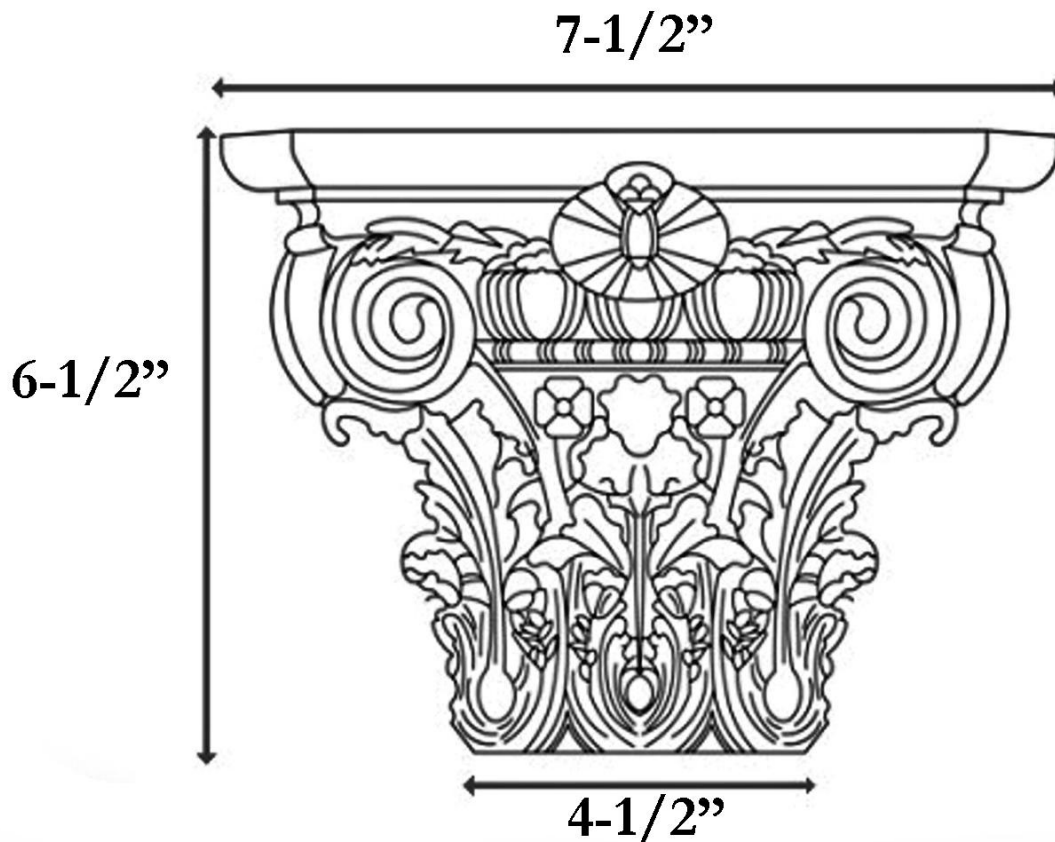


# CHADSWORTH INCORPORATED

## CAST RESIN CAPITALS

4-1/2" MODERN COMPOSITE



### SPECIFICATIONS

Load Bearing:	Yes
Material:	Cast Polyester Resin
Base Width:	4-1/2"
Height:	6-1/2"
Abacus:	7-1/2"