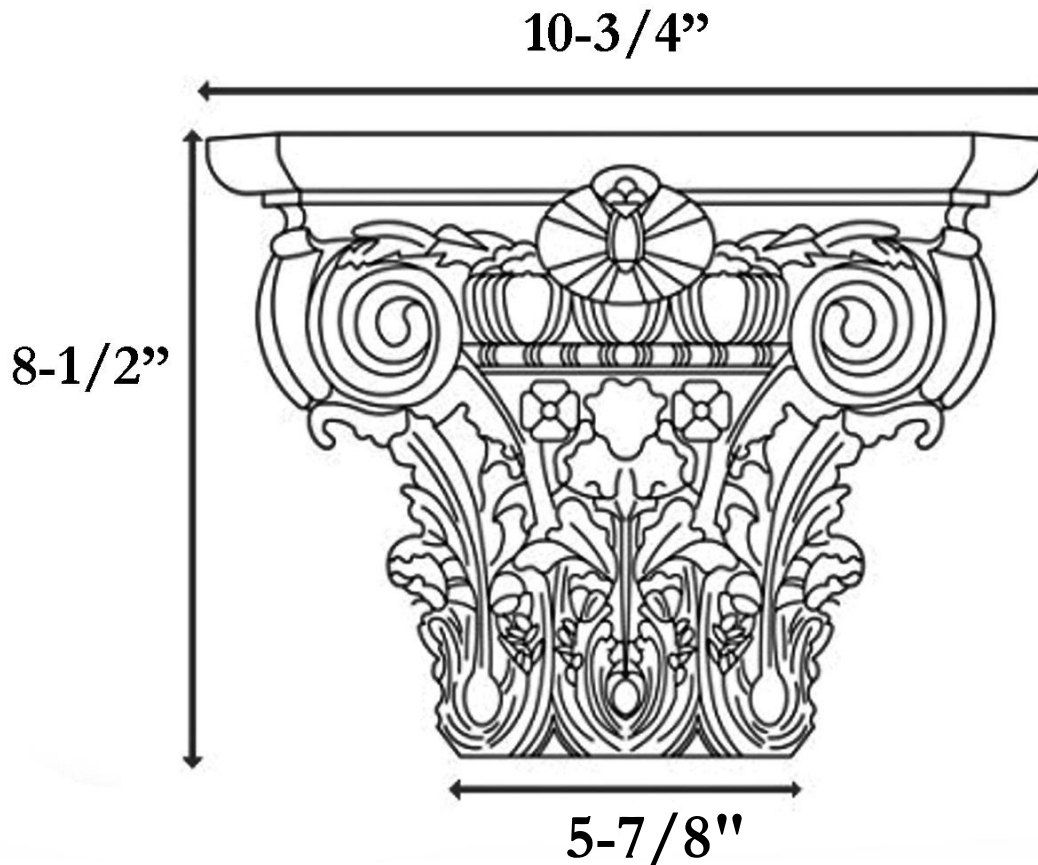


# CHADSWORTH INCORPORATED

## CAST RESIN CAPITALS

6" MODERN COMPOSITE



### SPECIFICATIONS

Load Bearing:	Yes
Material:	Cast Polyester Resin
Base Width:	5-7/8"
Height:	8-1/2"
Abacus:	10-3/4"