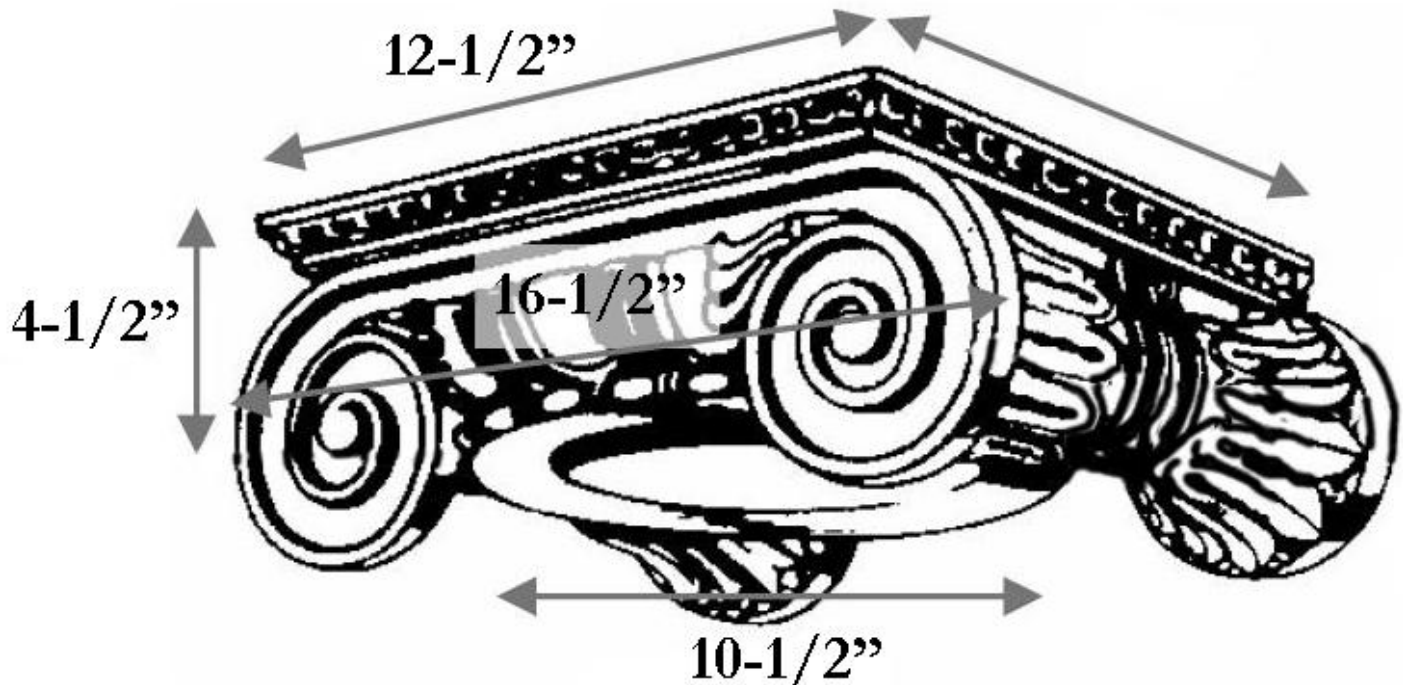


CHADSWORTH INCORPORATED

CAST RESIN CAPITALS

10-1/2" ROMAN IONIC



SPECIFICATIONS

Load Bearing:	Yes
Material:	Cast Polyester Resin
Base Width:	10-1/2"
Height:	4-1/2"
Abacus:	12-1/2"
Scroll to Scroll:	16-1/2"