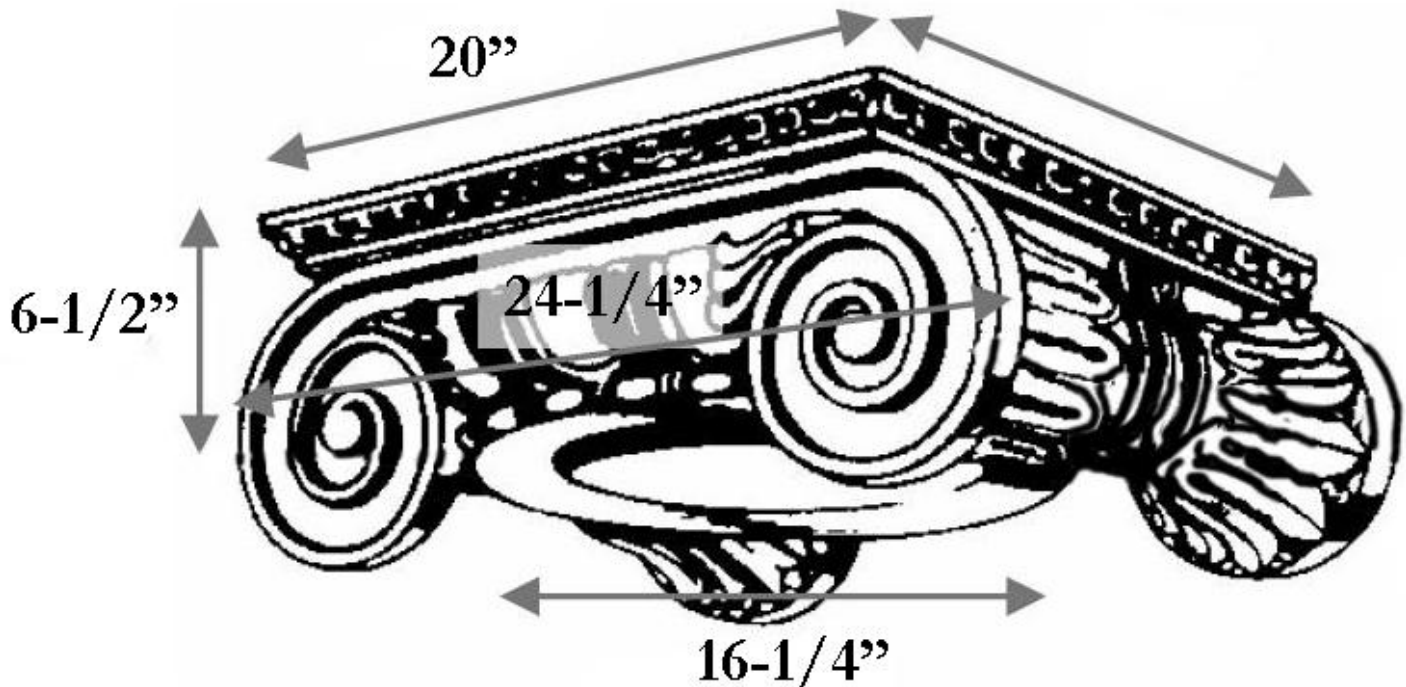


# CHADSWORTH INCORPORATED

## CAST RESIN CAPITALS

16-1/4" ROMAN IONIC



### SPECIFICATIONS

Load Bearing:	Yes
Material:	Cast Polyester Resin
Base Width:	16-1/4"
Height:	6-1/2"
Abacus:	20"
Scroll to Scroll:	24-1/4"