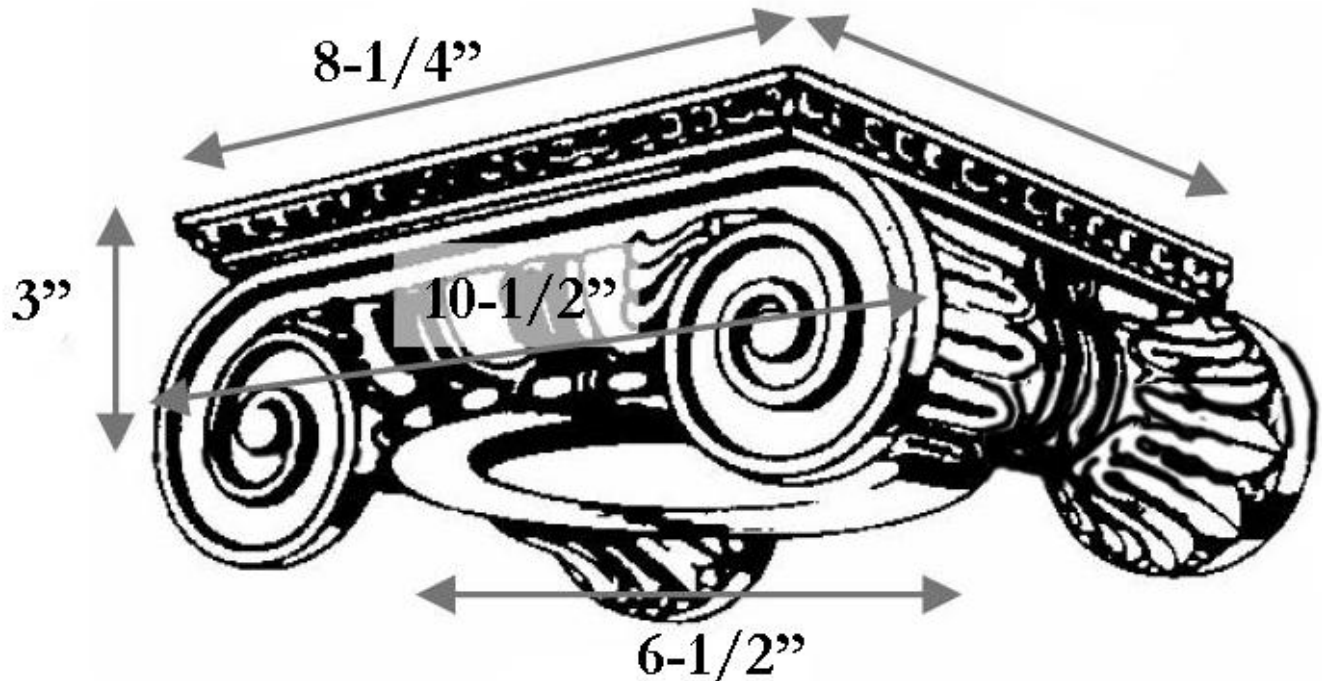


CHADSWORTH INCORPORATED

CAST RESIN CAPITALS

6-1/2" ROMAN IONIC



SPECIFICATIONS

Load Bearing:	Yes
Material:	Cast Polyester Resin
Base Width:	6-1/2"
Height:	3"
Abacus:	8-1/4"
Scroll to Scroll:	10-1/2"