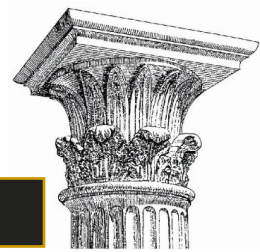


CHADSWORTH COLUMNS



CEILING DOMES – INSTALLATION

Please Read And Follow All Installation Instructions Carefully

1. PREPARING THE CEILING

- Invert dome and trace on ceiling.
- For **domes with rims**, measure and mark the distance from the edge of the domes rim to the beginning of the curve. This is the cut line.
- For **rिमless domes**, the tracing line is the cut line.

2. CUTTING THE ROUGH OPENING

- **Frame and Wallboard Construction:** Cut wallboard and remove necessary sections of joist. Add as needed for support (*figures 1 & 2*): (1) framing members, (2) double members on each side and perpendicular to ceiling joist, (3) over the top to hold electrical box.
- **Lay-in or Suspended Ceilings:** Cut acoustical tiles and metal framework. (*figure 3*). When in place, tiles will rest on the edge of the dome and framework.

3. PREPARING THE DOME

- Lightly sand dome surface.
- **Fiberglass domes:** drill hole for light fixture if needed:
 - holes less than 1/2" cut from front with metal cutting twist bit;
 - holes 1/2" to 2" cut from front with metal cutting hole saw;
 - holes 2" or more cut from back with reciprocating saw (*jig or sabre*)

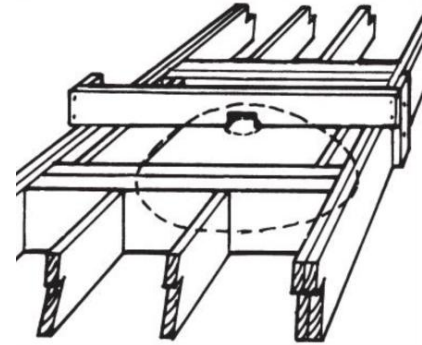


FIGURE 1

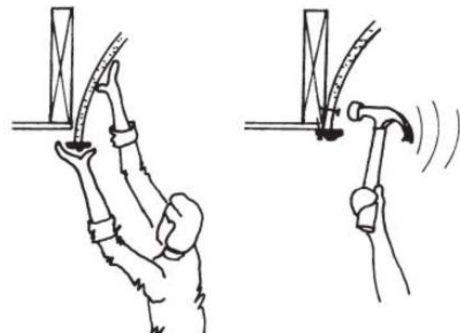


FIGURE 2

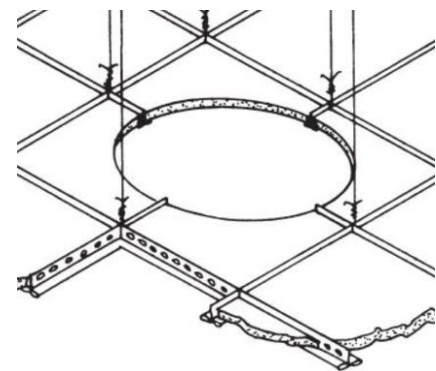


FIGURE 3

CEILING DOMES INSTALLATION (cont.)

- **Polyurethane Domes** can be drilled from the front side.

- **Frame and Wallboard Construction:**

- **Fiberglass Domes:** Thread construction wire through metal straps on back of dome. Attach wires tightly to the overhead joist using screws (*figure 4*).

Note: *If you choose to drill through the dome, refill holes with Bondo then sand, or use fiberglass repair kit.*

- **Polyurethane Domes:** Insert screws through dome into wallboard or framing. Dome can be glued to ceiling using polyurethane adhesive.

- **Lay-in or Suspended Ceilings:**

- **Fiberglass Domes:** Thread construction wire through straps; attach wires to suspended ceiling wires.

- **Polyurethane Domes:** Use a wood block, into which the suspension wires are secured. Screw from the inside of the dome through the wood block that is positioned on the topside of the dome (*figures 4 & 5*).

Note: Light fixture is supported by the framing, not by the dome.

4. FINAL TOUCH-UP

- Sand surface of dome; paint with high quality paint.

Do Not use lacquer paints.

- Caulk where dome meets the ceiling.

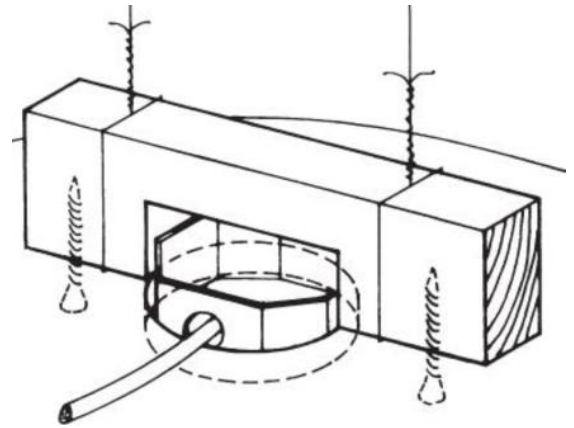


FIGURE 4

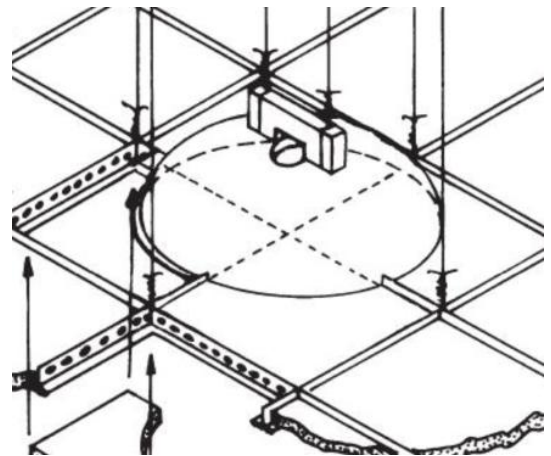


FIGURE 5