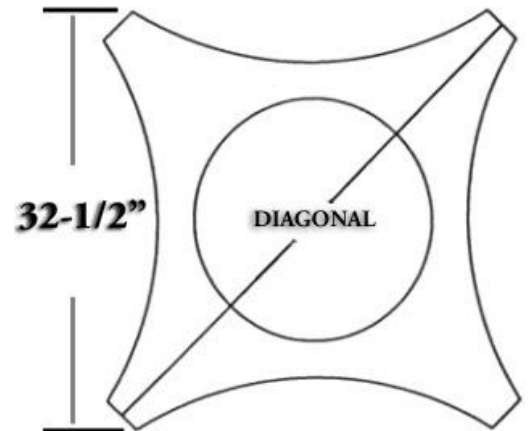
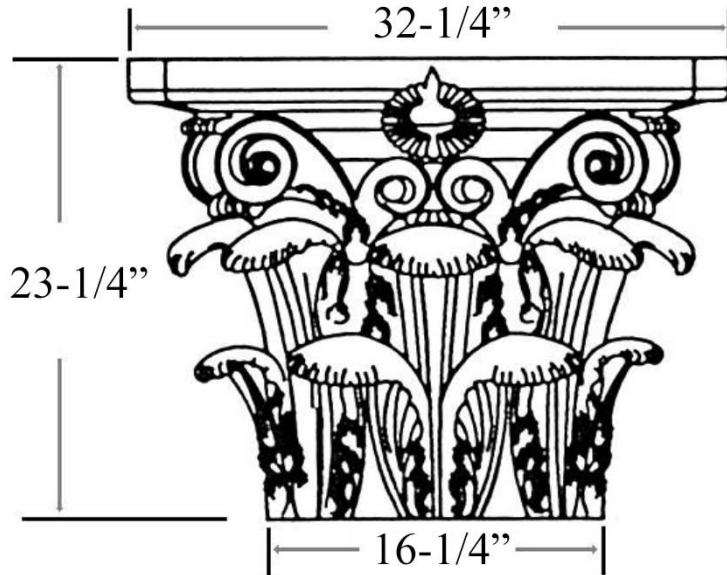


CHADSWORTH INCORPORATED

CLASSIC STONE CAPITALS

ROMAN CORINTHIAN CAPITAL FOR AN 18" COLUMN



$$\text{DIAGONAL} = \sqrt{w^2 + w^2}$$

SPECIFICATIONS

Load Bearing:	Yes
Product Weight:	290 lbs
Material:	Classic Stone
Base Width:	16-1/4"
Height:	23-1/4"
Abacus:	32-1/4"
Inner Diameter:	13-1/4"

FINISHING OPTIONS



WHITE



OFF-WHITE



CREAM



LIMESTONE



SANDSTONE



CLIFFSIDE
GRAY