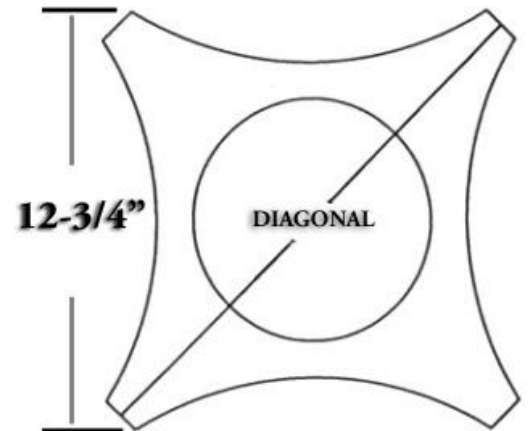
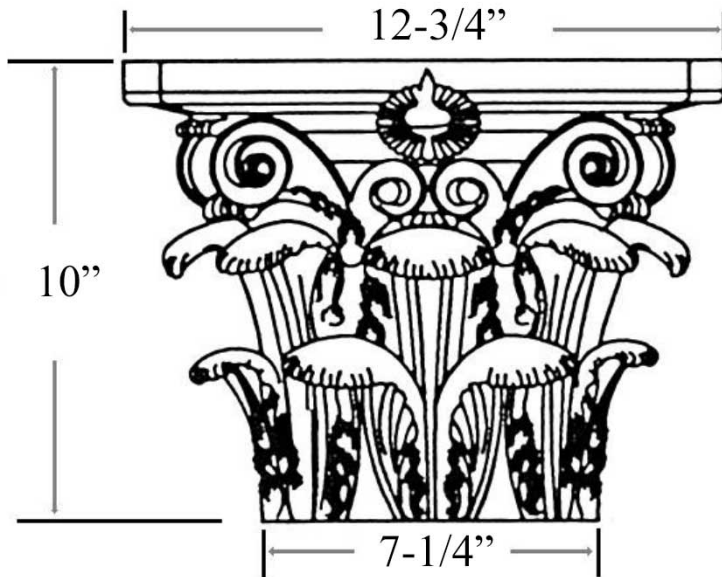


CHADSWORTH INCORPORATED

CLASSIC STONE CAPITALS

ROMAN CORINTHIAN CAPITAL FOR AN 8" COLUMN



$$\text{DIAGONAL} = \sqrt{w^2 + w^2}$$

SPECIFICATIONS

Load Bearing:	Yes
Product Weight:	23 lbs
Material:	Classic Stone
Base Width:	7-1/4"
Height:	10"
Abacus:	12-3/4"
Inner Diameter:	4-3/8"

FINISHING OPTIONS



WHITE



OFF-WHITE



CREAM



LIMESTONE



SANDSTONE



CLIFFSIDE
GRAY