

# CHADSWORTH'S 1.800.COLUMNNS®

www.columns.com

## INSTALLATION INSTRUCTIONS FOR CAPITALS



GREEK ERECHTHEUM  
WITH NECKING



GREEK ERECHTHEUM  
WITHOUT NECKING



ROMAN CORINTHIAN



ROMAN IONIC



SCAMOZZI

Our capitals are made from two types of plaster which are reinforced with fiberglass and hemp. Upon receipt, capitals must be unpacked and painted with at least two coats of oil base paint on all interior, exterior and top surfaces. All joints and screw heads should be sealed with a waterproof compound and the upper edges gun caulked with an elastic silicone compound so there is no possibility of water seepage behind the ornament. **Do not leave the capitals in their crating material.**

**If an exterior ornament is allowed to become wet before being painted, the paint will peel, it will resist additional coats of paint and the entire capital will deteriorate.** It is extremely important that all surfaces should be coated before installation and that rustproof counter-sunk screws should be used.

Install wooden plug onto the shaft by screwing or nailing plug to shaft. Our capitals are not load bearing and a wooden plug must be made to bear the weight unless you purchased load bearing capitals. Please follow the directions for making the plug on the reverse side of these installation instructions. For exterior installation, install flashing over top of capital by bending the metal over the edge of the capital. Place capital over plug and secure by drilling pilot holes through capital and placing screws into plug. Set screw heads below surface of capital and fill with patching plaster. Lower soffit onto wooden plug making sure no weight is on the capital. Nail or screw plug to soffit. Use shims to lock plug into place on interior columns where the soffit cannot be lowered. Seal all joints with a paintable silicone sealant.

### JOINING SPLIT CAPITALS

Follow instructions for capital installation. Drill pilot holes for screws on each side of the seam and angle to the shaft or plug. Caulk areas of the capital that attach to shaft. Clean the cut surfaces of capital with shellac. Use a bead of construction adhesive along the seams and press the two halves together and allow to dry completely. Sand to make smooth. Using galvanized or stainless steel screws, attach the capital to the shaft or plug. Caulk around all edges making certain that no parts are exposed. Put patching plaster along the seam and sand to make it smooth.

### USING AS PILASTERS

Apply a furring strip as a nailer the entire length of the pilaster and capital from floor to ceiling. Drill pilot holes for screws on each side of the seam and angle to attach to the shaft. Counter sink screws into the strips of wood. Fill all seams and caulk the areas of the capital that attach to the shaft.

### CAPITAL REPAIRS

**Cracks** - If a capital should get a very small crack, make the crack slightly larger and apply a coat of shellac and let dry. The thin edge of a small putty knife or any similar object inserted into the crack will enlarge it slightly. Then put a plaster or moulding compound over the crack and allow to dry.

**Broken Pieces** - Shellac both pieces and then glue them together with any high quality wood bonding agent. Then proceed with the repair method.

If you have any questions concerning the capital installation or repair, please call our Sales Office at 1.800.486.2118.

THANK YOU FOR YOUR ORDER!



EMPIRE  
WITH NECKING



EMPIRE  
WITHOUT NECKING



MODERN COMPOSITE



ROMAN DORIC



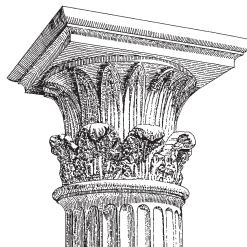
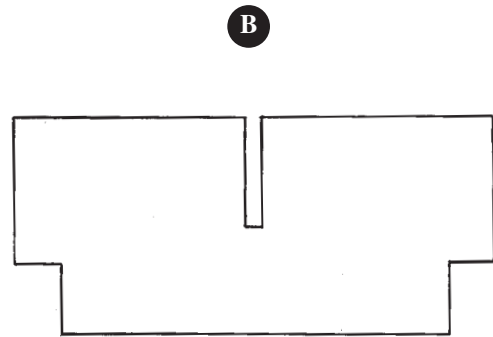
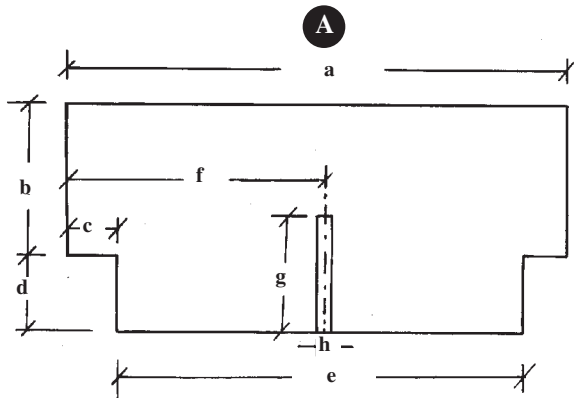
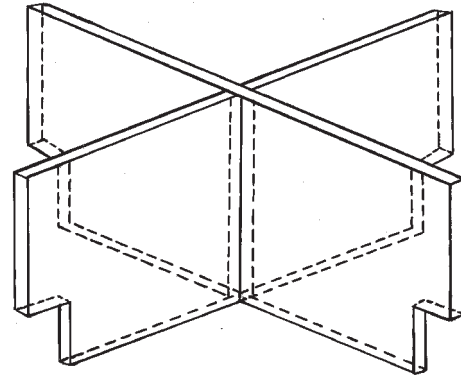
TEMPLE OF WINDS

## LOAD-BEARING PLUG FOR COMPOSITION CAPITAL

NOT NECESSARY IF YOU PURCHASED LOAD-BEARING CAPITALS

### 3/4" PLYWOOD RECOMMENDED

- a = width of opening at top of capital
- b = height of capital - measured on inside + 1/4"
- c = a - e + 2
- d = 2" to 4"
- e = width of opening at top of shaft
- f = 1/2 of a
- g = 1/2 of b + d
- h = 3/4"



CHADSWORTH'S 1.800.COLUMNNS®

[www.columns.com](http://www.columns.com)

277 NORTH FRONT STREET • HISTORIC WILMINGTON, NC 28401-3907 • TOLL FREE 800.486.2118 • TELEPHONE 1.910.763.7600 • TELEFAX 1.910.763.3191  
ATLANTA • LONDON